

\$. + . ¢ 6SDVFXUHQWDMRUP HU

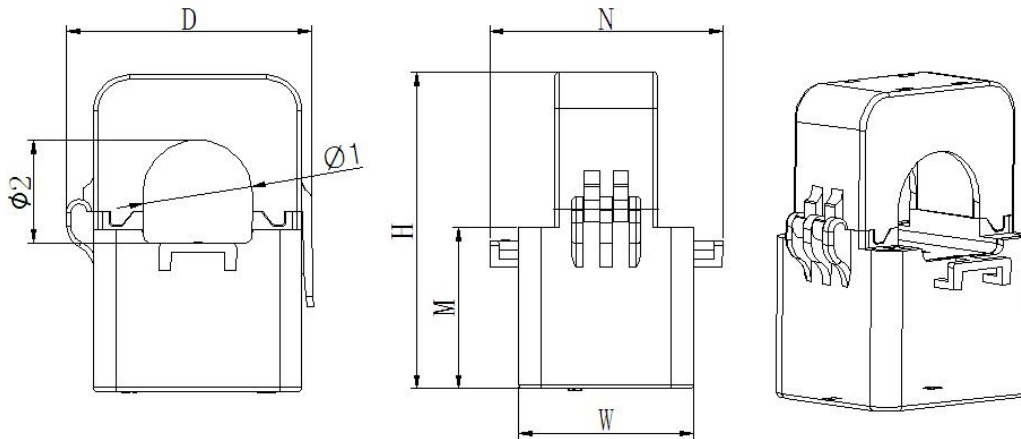
3URGXFWHDMUH

7KH DSSHDUDQFH LV QLFH DQG VHLQW DMRQ DQG ZLWJ DUH FRQYHQW\$. + . - VUHV
 VSDVFXUHQWDMRUP HU/DUHP DQG XHG LQUHFRQWUHQW SURVFWRI XUEDQ DQG UKDORZ HU UIGV
 3URGXFWKDV VHL DGYDQW HV RI VP DQVJ H KJK DFFXUD VWRQJ DQG FDSFLW HDX LQWDMRQ
 HW7KH VDYH VHL P DORZ HU P DMUDD UHFXUHV DQG ILQDFLD UHFXUHV DQG LP SURYH VHL
 HILFHQA RI XVHV

([SDORQRI RUMSH



6SH DQVJ H



1 RM 3UP DV FXUHQWZ IUR 3 VR 3 7KHEOFNVFRGZLWJ LV6 VHUHGLV6 7KHXWV
 DQVJLV P " FP

7\SH	6UJH PPU		2XWQHVMJH			7KURXJKVMJH		7RDUQFH
	:	+	'	0	1	ž	ž	
. ¢								f
. ¢								
. ¢								

&URWUH HUHGFHVEQVRI VSH ±SDUP HAU



6SHFLFDNRQ	5DNGFXUHQ/VDMR \$	3UFLMRQGJUHI		6WDLJKW VURXJK WV	0 Q FDEQ RXMUGDP HAU PP
. ¢	\$ \$				¢
	\$ \$				
. ¢	\$ \$				¢
	\$ \$				
. ¢	\$ \$				¢
	\$ \$				
	\$ \$				
	\$ \$				

7HKQFDLQGGFDMV

- Z 5DNGRSHUDNRQYRDUH\$ & N9
- Z 5DNGIUTX-HCF +]
- Z \$PEHQ/VLWPSHUMUH
- Z +HJKWVERYHVDCMHD P
- Z 3RZHUIUTX-HCF ZLWMDQGYRDUH Y PLQ +]
- Z 8VGLQSDPHZLWVGLUFWDLQDQGVCRZ ZLWVXWHYHUHSRQWVQDQGDGFXMVKRFN

,QMDQNRQ

