



\$' : [[VUHVUDOWSH
P XOVORS SRZ HULQVWP HQW

, QVVDVNRQDQG2 SHVDNRQ, QVVKFNRQ9

\$ FVH&R / VQ

' (& \$5\$7,21

1 R SDWRI WLV SXEFDNRQ P.D. EH UFSURGFHG WRIJG LQ DUHNIHYDOX WMP RUWDOQLWNG LQ DQ IRUP EA DQ
PHDQ/ HOFWRQF PHKQFDOSKRIFRS LQJ UFRIGQJ RUMHIZLVH ZLWRXWSURU SHUPLWRQ RI \$ FUD \$ OULJKW
UHVLYHG

7KLV FRP SDQ UHVLYH SRZ HURI UHVLWRQ RI SURGFWSHFILFDNRQ GHVUEHG LQ WLV P DOXDO ZLWRXWCRWFH %H RUH
RUGLQJ SODVHFRQXOYDFDQJHQRUMHONMWSHFILFDNRQ RI SURGFW

* HQHDD

3URGXFWVSHDQGVSFLIFDNRQ

1 DP LQJ UXGH

6SHFLIFDNRQ/DGGP RGHYRI DXI LQDV WDDQ/RUP HV/

3URGXFWXCFNRQDQG7HFKQLFDOSDUP HMLV

3URGXFWXCFNRQ

6XEMFV7HFKQLFDOSDUP HMLV/

0 RGXGHVFKQLFDOSDUP HMLV/

2 VHLUMFKQLFDOSDUP HMLV/

' LP HQMRQDGGIQQMDDNRQLQWVKFNRQV/

' LP HQMRQXQVPP

, QMDDNRQLQWVKFNRQV/

: LLIQJ LQWVKFNRQV/

+ RZ VRXVH

3DQDGHFUISNRQ

' LUSD GHFUISNRQ

, QRUPDNRQYLFZ

6HMQJ 2 SNRQV/

&RP P XQFDNRQLQWVKFNRQ

&RP P XQFDNRQDGGUHV/

(QHJ\) UHJH\$ GGUHV7DEGH

' DDUHFRUGDGGUHV/DEGH

&RP P RQIDKDDDDV/

* HGHDO

\$' : ; ; VUHV UDOWSH P XCVORS SRZ HUP HMV DUHP DGD XHGI RUP HDXUQJ VHI XCHDFWIF SDUP HMV RI
 P XOSD VUH SKD HFLU FXW8 S VR I RXUMUH SKD HORS FXUHQVCSXWFDQ EHFRQ FVG V P XODR XVO , V&DQP HDXUH
 YRDU HDG GFUHQVSRZ HU SRZ HUI DFRU SKD HDQJCH XCEDDCH KUP RQF DGRMHUSDUP HMV

3URGXFVWVSHDQG VSHFLFDNRQ

1 DP LQJ UKH



- Extension module: one out of four communication module
- MK:switching module, 12 inputS+4 outputS
- MTL:temperature and leakage module, 12 temperature+4 leakage current
- number of current input circuits:
 - 1S:1 three-phase current circuit
 - 2S:2 three-phase current circuit
 - 3S:3 three-phase current circuit
 - 4S:4 three-phase current circuit
- current transformer:
 - D10:5A/1.25mA input
 - D16:100A/20mA input
 - D24:400A/100mA input
 - D36:600A/100mA input
- model description: 1RS485+1 pulse+2 inputs+2 outputs
- 200:no display and LoRa wireless communication function
- 210:LCD display function
- 220:LoRa wireless communication function
- Acrel product serial number

GRM 2 SWRQCH VLDQVFWRQFXS DQMGD VDCGUGZ LUQJ QDVKO P
 7KH HJ VDCGIXCFMRQ0 RGCHFDQEHVDFVGDV P RVMVP XODR XVO . 0 7/ \$: 7: LUHAW
 &RP P XQFDNRQ RGCH 6HIVFWRQ I RUSMRQDZ LUHAW HJ SDQMRQP RGCH
 ,VU UFRP P HQG VDWVH GVDQFH EH VZHQ\$. + . & 1 LQVDCDNRQ SRVNRQ DQG VHI SUP DU VGH
 VDCM RUP HUKRXG EHP RUHMDQ PHMJ
 / HNDJ HFXUHQVDCM RUP HULUFRP P HQG GP RGH

6SHFLFDNRQVDCGP RGHVRI DXJ LQDU VDCM RUP HUJ

7DEGH 6SHFLFDNRQP RGHORI \$' : [[VUHV DXJ LQDU VDCM RUP HU

9 RQDU H VSHFLFDNRQ	, QVWP HQVWSH	&XUHQVSHFLFDNRQ	0 DFKLQJ FXUHQVDCM RUP HU
i 9	\$' : [[' 16 \$	i \$	\$. + . GCE 1 &DW
	\$' : [[' 16 \$	i \$	\$. + . GCE 1 &DW
	\$' : [[' 16 \$	h \$	\$. + . GCE 1 &DW
	\$' : [[' 16 \$	h \$	\$. + . GCE 1 &DW
	\$' : 0 7/		\$. + / &DW

GRM ,WLV UFRP PHG WDMWH GWDQH E-VZHQ\$. + . GCE 1 LQMDMRQ SRMRQ DQG VWH SUP DU VLGH
 WDMRUP HUKRXGEP RUHWQ PHU

3URGXFWXQFMRQ DQG 7FKQFDOSDUP HMU

3URGXFWXQFMRQ

-) XOHDFWIF SDUP HMUP HDXUP HQ/RI 1 WUHSKDVHFLUXLVH VLUOD&XUHQ/WDMRUP HU
- 0 RQVWUQJ WUHSKDVH9RDUH&XUHQ/ =HURVHTX-HFH&XUHQ/) UHTX-HFH
- 0 RQVWUQJ WUHSKDVHSRZHU Ā VMDOSRZHU DFVYHĀ UDFVYHĀ DSSDUHQV
- 0 RQVWUQJ WUHSKDVHSRZHUJDFVĀ VMDOSRZHUJDFVU
- 0 RQVWUQJ 9RDUH&XUHQ/VKDVH\$ QJĀ 9RDUH&XUHQ/V HJUHRI XCEDDQH
- 0 RQVWUQJ 9RDUHĀ &XUHQ/VMD+ DUP RQF DQG) UDFVROCKDUP RQFV
- 5HFRUGRI YRDUHĀ FXUHQ/DQSRZHUJ WHP XP RI FXUHQ/V RQV DQGDW/V RQV
- 0 Q LP XP &XUHQ/ 0 Q LP XP SRZ HUGP DQGDQGUHOMP H&XUHQ/ UHOMP HSRZ HUGP DQG
- HYHQ/VHFRUG/5HFRUGVHDFMRQR ' , ' 2
- 6XSSRVVRYHYRDUH RYHUFXUHQ/VSKDHILOUH' , QNDJHDQGRMHUDDUP RYXW
- WPHJ RQV 3HURGVUDMVWUQJ
-) RXUTDGDQ/VDFWIF HQJ\ P RQV P XOMDMHDFWIF HQJ\
- GD VIRXUTDGDQ/DQGP XOMDMHDFWIF HQJ\ UHJ LQ 3RDMYH DQGHUJDMYH HQJ\ PHUQJ
- FKDD-06Z LFKLQ LGSXW Ā FKDD-06Z LFKLQ RYXW Ā 56 Ā \$ FMYHSXOHRXWV6Z LFKDQDFRUH SRQQLQ
 FLUXLV

7KHIRQZ LQ DX LQDU IXQFMRQ/FDQEHJ WQ-GVURXJKLV5- LQNUFH

- 0 . FKDD-06Z LFKLQ LGSXW FKDD-06Z LFKLQ RYXW
- 0 7/ FKDD-07 VLUODI 7& WPH SHDMUH FKDD-0UHLGXDFXUHQ/V HDXUP HQ/VQNDJH
 FXUHQ/V
- \$: 7 * * : WUHW&RPP XQFDNRQ
- \$: 7 * * : WUHW&RPP XQFDNRQ
- \$: 7 1% 1%,R7 : WUHW&RPP XQFDNRQ
- \$: 7 / R5D / R5D: WUHW&RPP XQFDNRQ
- \$: 7 /: / R5D \$1 : WUHW&RPP XQFDNRQ

6XEMFV7FKQFDOSDUP HMU

7DEH \$' : [[VUHV/VXEMFV7FKQFDOSDUP HMU

\$ X LQDU SRZHU		\$ & ' & 9 FRQ/XP SMRQ 9\$
LGSXW) UHTX-HFH	+]
	9RDUH	\$ & î 9 9
		2 YHURDG WPHV/RI UDNG YDOH FRQVQRXV WPHV/RI UDNG YDOH V
		3RZHUFRQ/XP SMRQ" 9\$
	&XUHQ/V	\$ & \$Ā \$Ā \$Ā \$ ([VLUODSRSHLQJ WDMRUP HU
		2 YHURDG WPHV/RI UDNG YDOH FRQVQRXV WPHV/RI UDNG YDOH V
3RZHUFRQ/XP SMRQ" 9\$		
PHDXUP HQ/VDFXUFA) UHTX-HFH +] YRDUH DQG FXUHQ/V QYHO DFVYH HOFWIF HQJ\ QYHO UDFVYH HOFWIF HQJ\ QYHO

		WP HV/KDUP RQLE DFFXUFA "	
) HDMUH/	3XOHXRISXW	2 XISXWP RGH RSNFRXSOLUSXOHZ LK RSHQFRQDFVU	
	&RPPXQFDMRQ	56 ã 0 RGEV578 %DXGUDM	
	6ZLVFKLQJ	LCSXW	' U FRQDFVICSXW ã %XLOWQSRZ HUXSSO
		RXISXW	2 XISXWP RGH5 HD CRUP DD RSHQFRQDFVIXSXW FRQDFVDMQJ \$ & 9 \$ ' & 9 \$

0 RGXOHVFKQLFDOSDUDP HMUV

7DEOH \$' : [[VUHV0 RGXOHVFKQLFDOSDUDP HMUV

6ZLVFKLQJ 0 RGXOH	3RZHU	5- LQMUJFHã ' & 9ã 3RZHUFRQXP SMRQ' :
	&RPPXQFDMRQ	5- LQMUJFHã 0 RGEV578 &RPPXQFDMRQZLVKWHPDQ3DUV
	6ZLVFKLQJ LCSXW	' U FRQDFVICSXW ã %XLOWQSRZ HUXSSO
	6ZLVFKLQJ RXISXW	2 XISXWP RGH5 HD CRUP DD RSHQFRQDFVIXSXW FRQDFVDMQJ \$ & 9 \$ ' & 9 \$
7HP SHUDMUHDQG GDNJHP RGXOH	3RZHU	5- LQMUJFHã ' & 9ã 3RZHUFRQXP SMRQ' :
	&RPPXQFDMRQ	5- LQMUJFHã 0 RGEV578 &RPPXQFDMRQZLVKWHPDQ3DUV
	WP SHUDMUH PHDXUP HQW	
	/ HNDJHP HXUP HQW	P \$
	PHDXUP HQWVFFXUFA	WP SHUDMUH" ã / HNDJH

2 VVHVUWFKQLFDOSDUDP HMUV

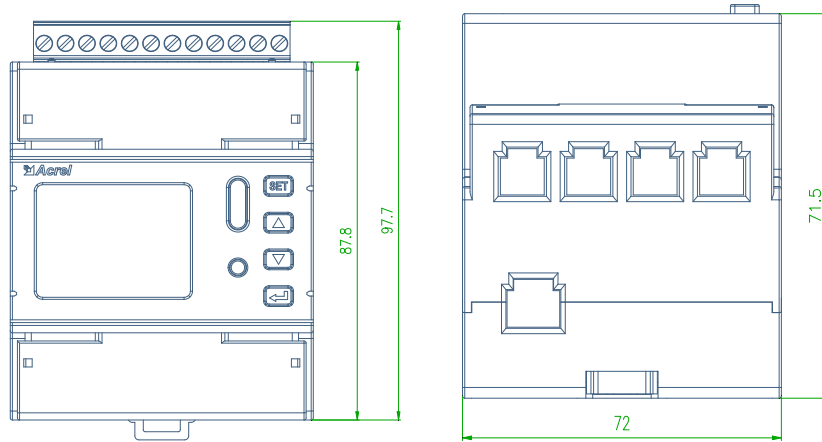
7DEOH 2 VVHVUWFKQLFDOSDUDP HMUV

6DHW	3RZHUHTXHF ZLVKMDGGYRDUH	! \$ & NØ P LQ
	, QXDMRQ UHLMDFH	! 0
(QYURCP HQW		ZRUNQJ WP SHUDMUH 6VUDJHWP SHUDMUH UHDMYHKXP LGW" 1 RFRGGHQDMRQ \$ QVGH" P
HDFWRP DJQHWF FRP SDVFLQW		%HVVUWMDQJUDGH

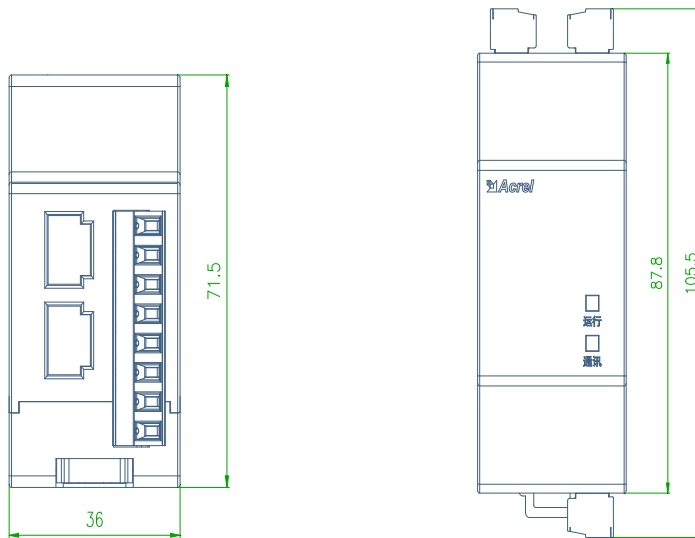
' LP HQMRQ DQG LQMDQMRQ LQVVKFMRQV

' LP HQMRQ XQVWP P

\$' : [[VUHV/P DQSDUWDDGO RGXOHGPHQMRQV



31FNUH \$' : [[VUHVPLQSDUWLP HQMRQV

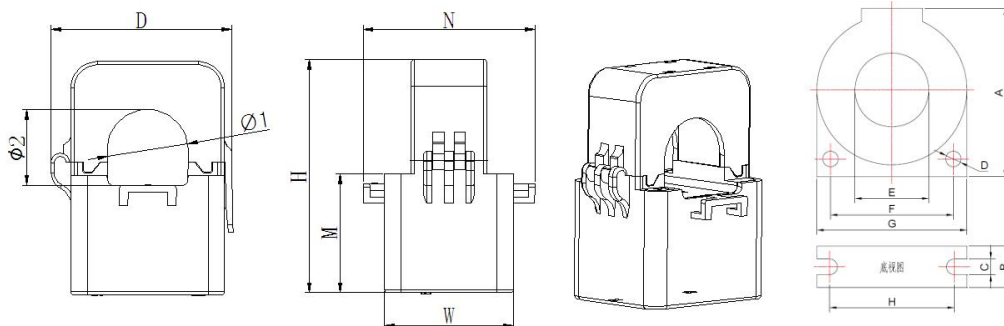


31FNUH \$' : [[VUHVORGXØIGLP HQMRQV

7DEØH \$' : [[VUHVPLQSDUWGGORGXØIGLP HQMRQV

	' LP HQMRQPP				5DQJHPP	VRØUDCFHPP
	ØQJ	ZLGM	KJK	: LK WUP LQD ØQJW		
\$' : [[
\$' : [[O RGØH						"

GP HQMRQRI WØMRUP HU



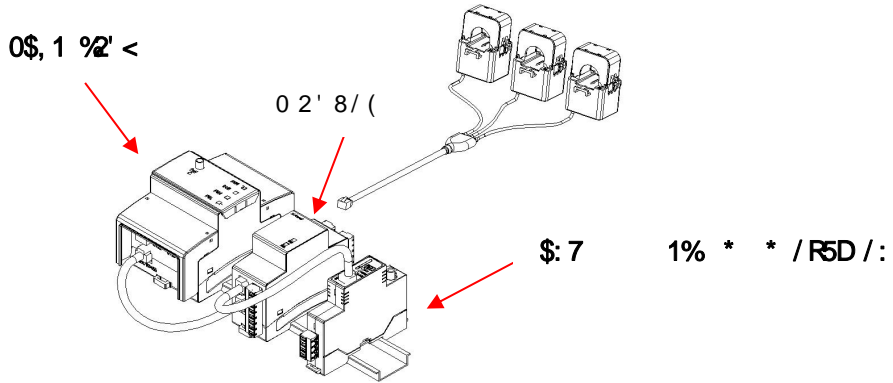
7DE0I GP HQMRQRI WDMRUP HU

&XUHQV WDMRUP HU	' LP HQMRQPP					3HURUDMRQVJH PP		VRQUDCFH PP
	:	+	'	0	1	-	-	
\$. + . GOE 1								“
\$. + . GOE 1								
\$. + . GOE 1								
\$. + . GOE 1								

5 HMGXDO&XUHQV 7 WDMRUP HU	&XUHQV	\$ PP	%PP	& PP	' PP	(PP) PP	* PP	+ PP	ZHJKVNU
\$. + / V									

, QMDCMRQLQMMKFMRCV

\$ GZ [[LQMDMRQP RGHV/UDLOWSH 8 S VR VKUH SKDVHFXUHQVFRQQFMRQV



3LFMUH * XLGHUULQMDMRQP

QRV ,VVUFRP PHG VDMVHG VDCHEHZHQ\$. + . & 1 LQMDMRQSRMRQDGGVHSUP DU VGH WDMRUP HU
VRXGEHP RUHWDD PHMU

5 HFRP PHG GFDE0QV I RUP RG0FRQQFMRQ

, ZKHQP RG0V/DJF0V/D DUUQJHG DGGDWP EGG

7 7KHUFRP PHG G0QV RI QH7RNFDE0H7HQDGGZ LUHWP RG0\$: 7 LV FP

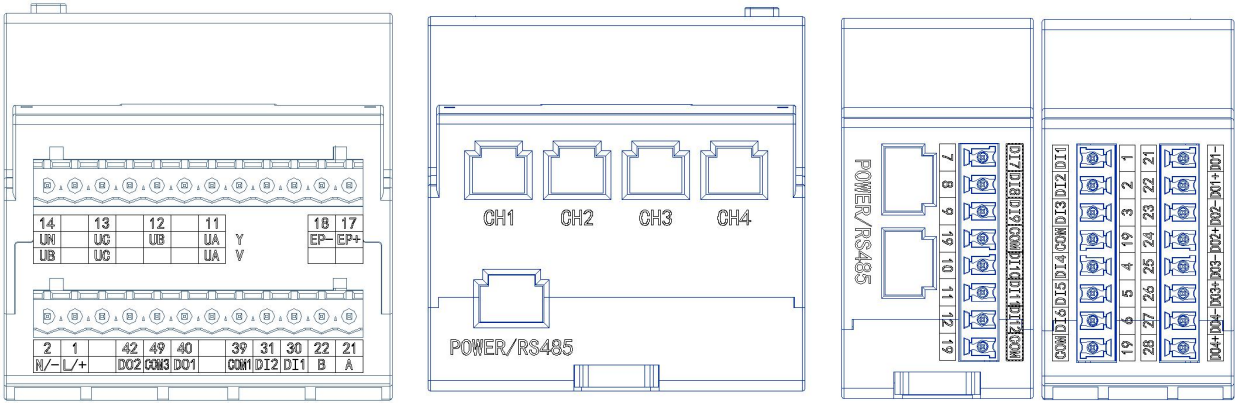
8 5 HFRP PHG G0QV RI QH7RNFDE0H RUFQQFMRQEH7HQRMHUP RG0LV FP

,, 0 RG0GHFQDDJ HGDWP E0 7KH0QV VKDDEHGHMUP LQGDFFRLQJ VR VHD FVDCMRQGLVDCFHRI VHFV
VRPHLVDM

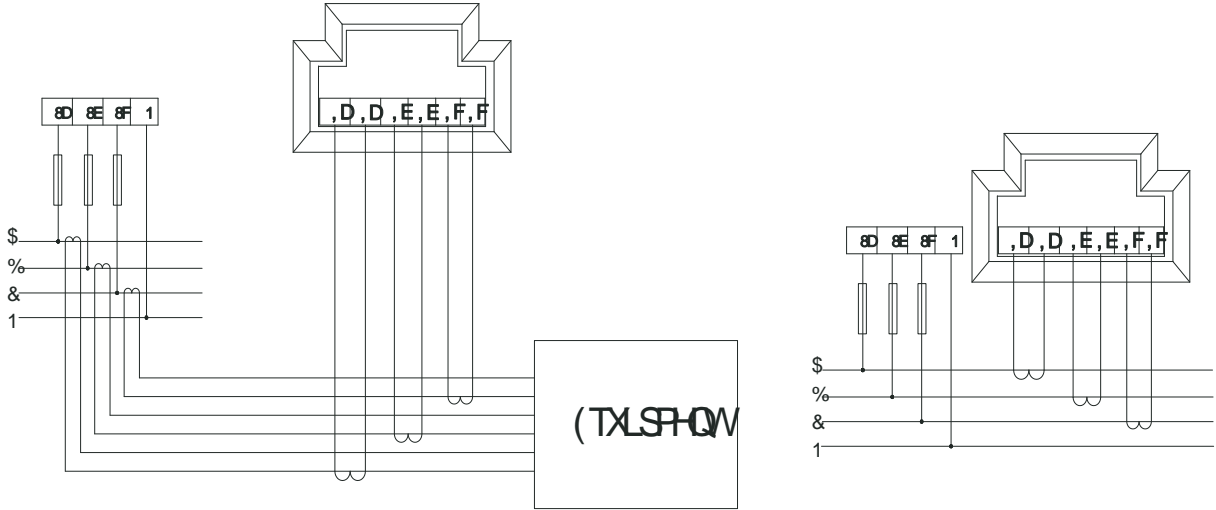
\$ FFRLLQJ VR VHFQQFMRQVHTXCFH VHP RG0F0VWRVHP DQERG LVGH LQGD/P RG0 x

: LUQJ LQMMKFMRCV

7KHWP LQDCE0FNLVKRZ QIQVHI LXUHE0Z

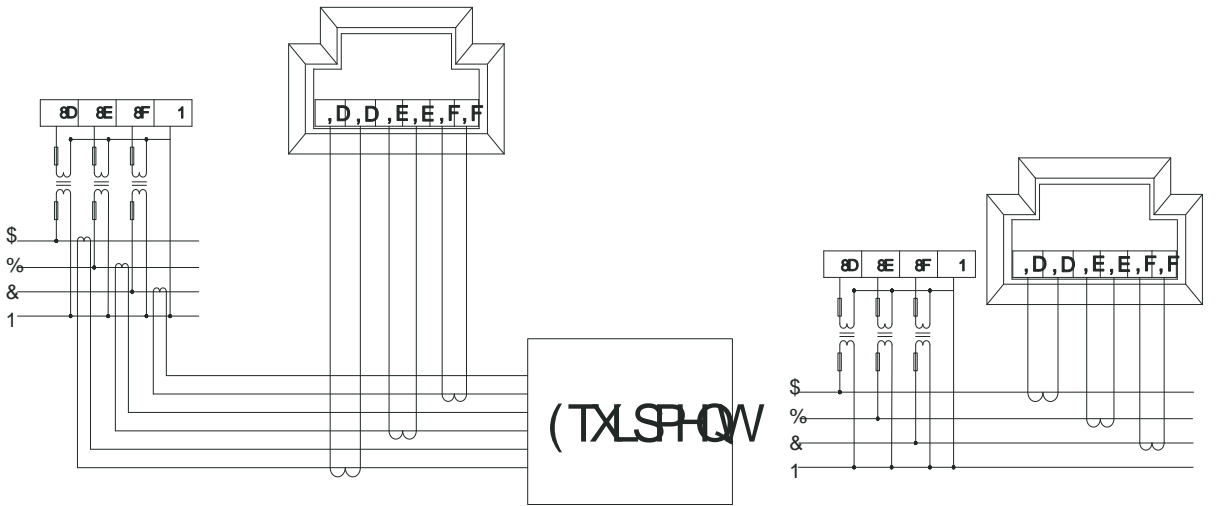


3LFMUH VEMFWFRQ-FWQ WUP LQDSLAMUH 0 RGXDFRQ-FWQ WUP LQD



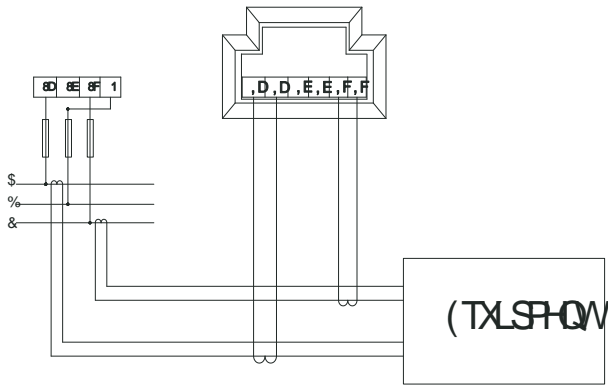
3LFMUH 7KUH SKD,HIRXUZLH VFRQDU FXUHQVDFHW

3LFMUH 7KUH SKD,HIRXUZLH GUFWFXUHQVFRQ-FWQ

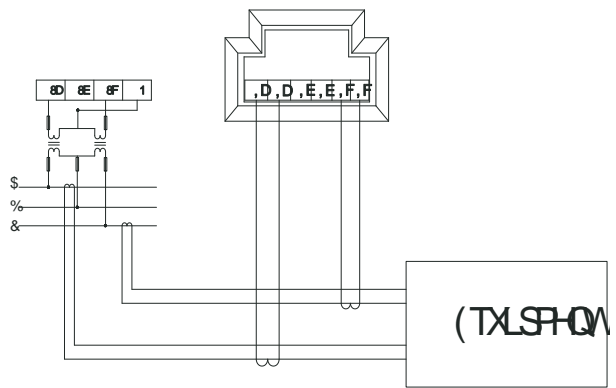


3LFWXUH 7KUH SKDV I RXU ZLH
VFRQDU FRQ-FVLRQ RI YRQVUH DGG FXUHQV

3LFMUH 7KUH SKD,HIRXUZLH
GUFWFRQ-FWQR YRQVUH DGG FXUHQV



3LFMUH 7KUH SKDHFVUHZLW
FXUHQWFRQFVNGYLDWQMRUPHU



3LFMUH 7KUH SKDHFVUHZLW
YRQWHDGGFXUHQWUHFRCQFVNGVURXJKVHWQMRUPHU

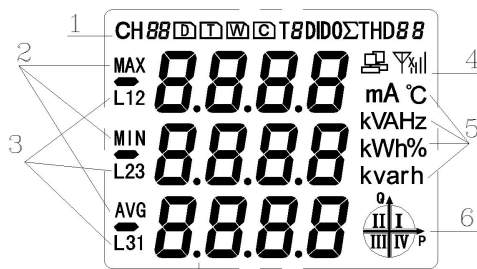
+ RZ VRXVH

3DQHGHFUSMRQ

6(7 NH SET	, QPHDXUPHQVPRGH SUHWVWVNH VR HQMU SURJUDP P LQJ P RGH 7KH PHMU SURP SW IRU D SDVZ RUG \$ I WU HQMUQJ VHW FRUWFWSDVZ RUG VHW PHMU FDQ EH SURJUDP PHG , C SURJUDP P LQJ P RGH LVW/XVHGVR UHMLQVRVHSHYLRXVP HQX
8SNH X	, QPHDXUPHQVPRGH IRUZLVK LQJ FLFXW , QSURJUDP P LQJ P RGH LVW/XVHGVR VZ LVK VHXQPEHURI GJLWLVQVHVDP HGMHOP HQX RUGD
' RZ QNH z	, QPHDXUPHQVPRGH LVW/XVHGVR VZ LVK GLSD LMP V , QSURJUDP P LQJ P RGH LVW/XVHGVR VZ LVK VHP HQX RI VHVDP HGMFORULCFUHDV VHXQPEHURI GJLW
(17(5 NH ←	, QPHDXUPHQVPRGH LVW/XVHGVR VZ LVK GLSD LMP V , QSURJUDP P LQJ P RGH LVW/XVHGVR FRQLUP VHVDFWRQ RI PHQ LMP V DGG FRQLUP VHV PRGILFDVQRRI SDUP HMLV

' LVSDA GHFUSMRQ

7KHIRQZ LQ ILXUHLV VHVUHQZKHQDQFUDFWULHQV DGG LGFDVQRFRQVQVUHDQW

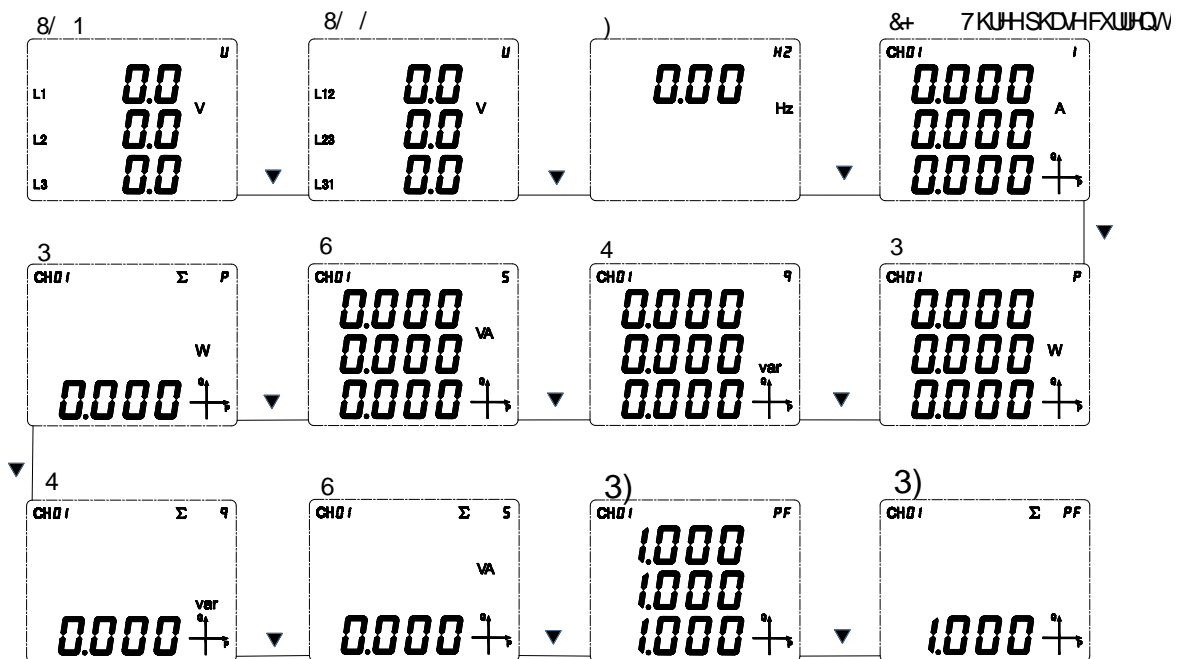


SLFMUH

1 XPEHU	' LVSDI FRQMQV	' HFUISWRQ
	&+ &+ &+ &+	&LWFXLV
		VXP
	, 3 4 6 3) 8 +=	, GQMLHVMHFRQMQVLSOI HGLQVHFXUHQVPHDXUHPHQVEDIDGLSDI DUHD &XUHQ/\$ FMYHSRZHU5HDFMYHSRZHUSSDUHQV SRZHUSRZHUIDFVU9ROUWH) UHTXQF
	7+'	1 XPEHURI KDUPRQFV
	' 7: &	7\SHRIHSDQMRQPRGXOI' 6ZLVKQJ0RGXOI 77HP SHUDMUH PHDXUHPHQVPRGXOI: : LUHDMFRPPXQFDMRQPRGXOI & 56
	7 7 7 7	&XUHQVDM7 V\$7 SHN7 DM-O7 9DOH
	0 \$; 0,1 \$9*	0 Q 0 LQ \$YHUIH5HFRUG
	/ / / / / /	/ / / 3KDVHYDOH/ / / / LCHYDOH
		: KHQDMVQGFDMVMDVMHFXUHQVFRPPXQFDMRQLVGRUPDO
	, QGFDMVMHXQVRI PHDXUHPHQVEDID	&XUHQ/\$ N\$ 9ROUWH9 N9 \$ FMYHSRZHUH P\$ 0 LDDPS WP SHUDMUH 5HDFMYHSRZHU. YDU DSSDUHQVSRZHUN9 \$ SHUHQUWH
	DQOI) RXUTXDGUQVSRZHU
	0 HDXUHPHQVEDIDGLSDI DUHD	&XUHQVYROUWH SRZHU SRZHUIDFVU WPH SDDP HMDVHMQV HIF DUHD

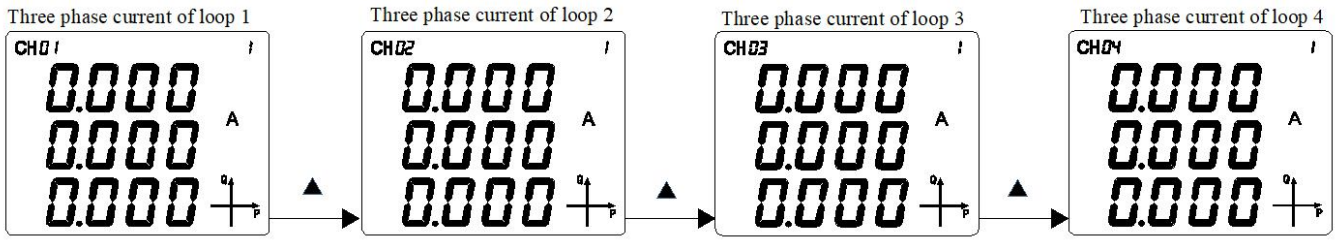
, QRUP DMRQYLFZ

7KHP HMUP HDXUHYROUWH FXUHQVSRZHU SRZHUIDFVU UHTXQF GP DQG HDMIFHQUJ H WPHYDOHDQG
RMH HDMIFDOSDDP HMV ZKLFK FDQ EH YLFZ HG WURXJK VMH PHMV VUHQ EXWRPH SDDP HMV FDQ RQD EH UHG
WURXJKFRPPXQFDMRQ) RUVSHUFLQ RUP DMRQ VMHMDGGUHWLQ RUP DMRQDECI
\$ QH DP SORU VMHGLSDI RI EDMF SRZHU LKRVZ QEHQZ



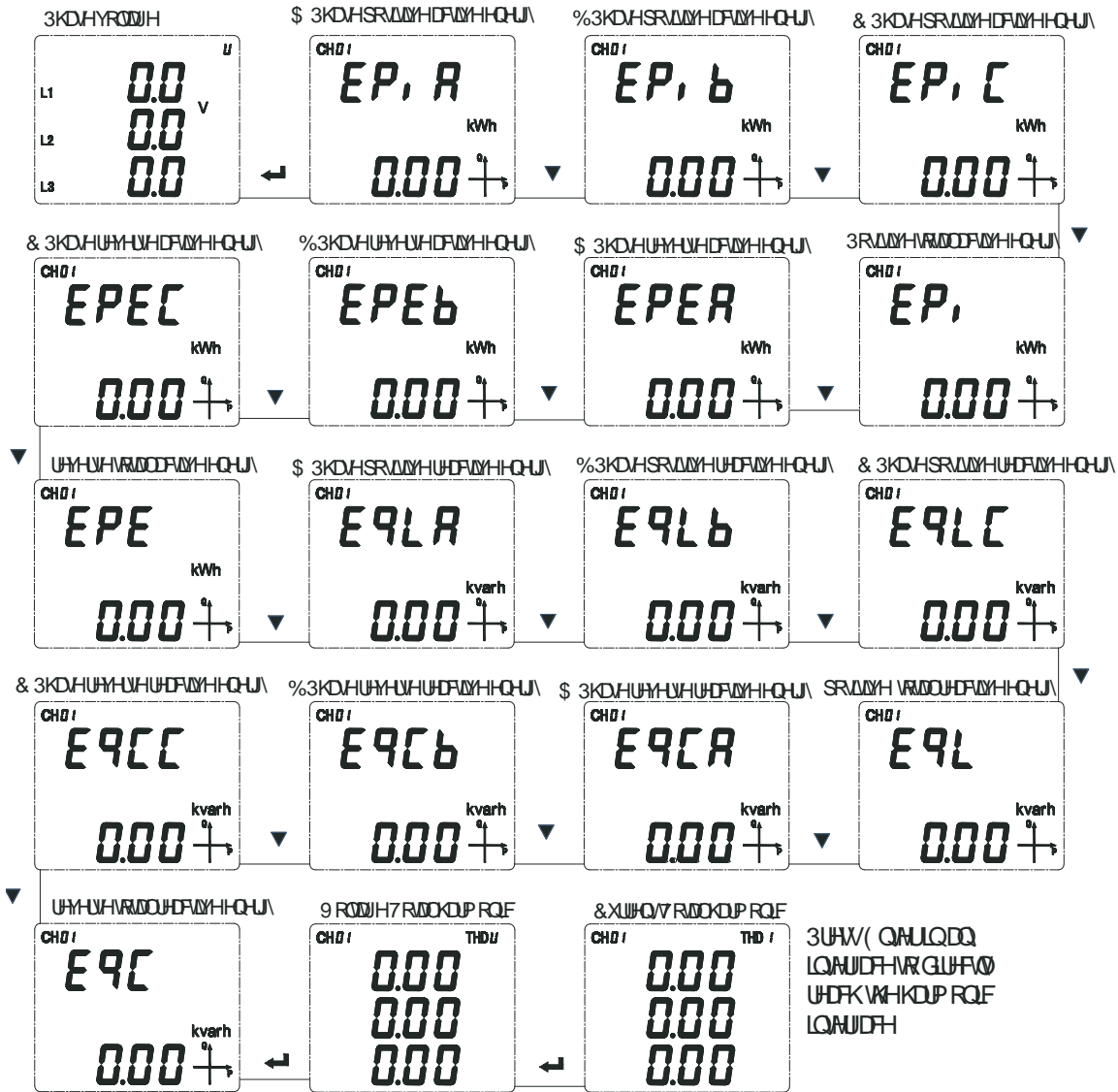
1 RM / Æ / Æ / FRUHSRQGVW\$ Æ 8% Æ 8 & / Æ / Æ / FRUHSRQGVW\$ DE Æ 8 E Æ 8 FD
&+ &+ &+ &+ UFSUHQVIRXUFLUFXLV

7R YLHZ VWHDFWIFDOSCUP HMLVRI VWHUP DQQJ FLUFXLW SUHVWH . EXWQRVZ LAKVR YLHZ IRUH DP SDI
 VR YLHZ VWHVUHSKDVHFXUHQVRI VWHUP DQQJ FLUFXLW RX FDQRSHUDMVR VWHVUHSKDVHFXUHQVRI FLUFXLW DVKRZ Q
 DERYH DQG VWHQSUHVWH . EXWQRVZ LAKVR YLHZ VWHUP DQQJ 7KUH SKDVHFXUHQVRI VWHORS DVKRZ QEHQZ



(/ FWFHQLJ P HMLQJ

7KHP HMLFDQP HDXUHS % & SKDVSRVWHDFWYHHCQLJ IRZ DGRVDDFWYHHCQLJ \$ % & UYHUFDFWYH
 HCQLJ UYHUFVDDFWYHHCQLJ \$ % & SKDVSRVWHDFWYHHCQLJ IRZ DGRVDDFWYHHCQLJ \$ % &
 UYHUFDFWYHHCQLJ UYHUFVDDFWYHHCQLJ YRDUH FXUHQVUDFWRDCKUP RQLFV 8 VHVFDQP DQDQ UYHV
 VHFDDHCQLJ GDVDFRRLQJ VRVHLURZ QCHGV UHTXUHVXVUSDVZ RLG



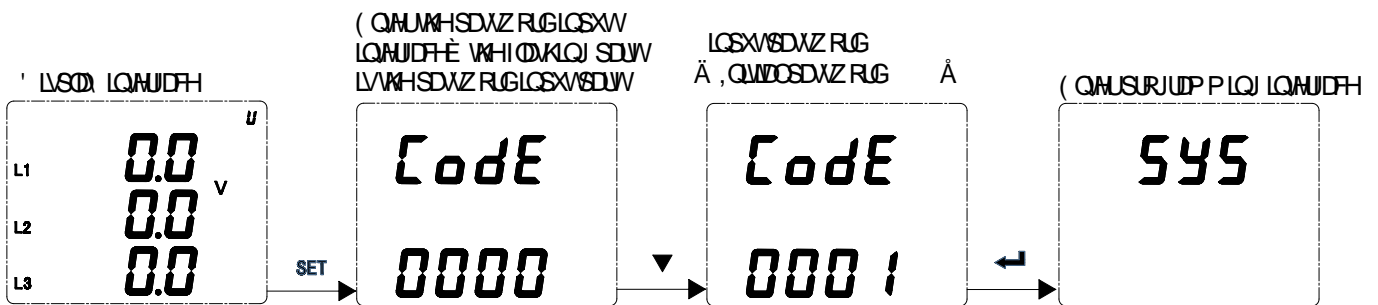
6HMQJ 2 SMRQV

7KHGHMGGHMFUISWRQRIWHVHMSPHQXLVVKRZQEHDZ

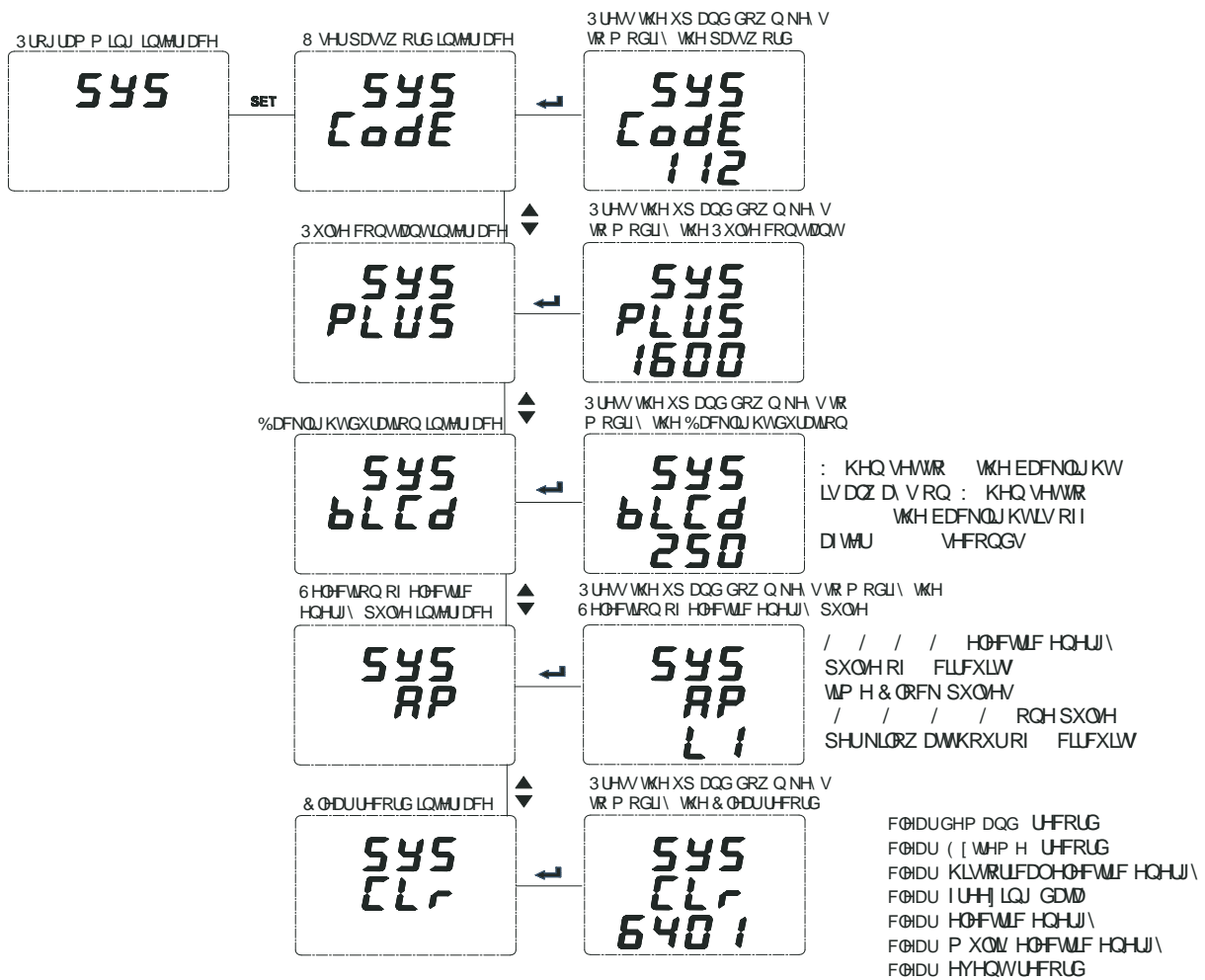
) LWDMYD	VFRQGMHD	7KLUGDMHD	' HFUISWRQ
545	Code		SDAZ RUG
	PLUS	\$ \$ \$ \$ \$	3XOHFRQMDQV
	bLcd	V	%DFNDJKVGDWRQ
	RP	L1 L2 L3 L4 t, nE IL1 IL2 IL3 IL4	(QHJ\ SXOHVHDFWRQ / / \$ FVYHHQHJ\ SXOHV/LQ ORSV t, nE &ORNSXOH / / / UFSUHQVWRQHGHJUH RI DFVYHHQHJ\ DQGRQH SXOH UFSUHQV FLUFXLW
CLr	&ODJ HP DQGUFRUG/ &ODJ [WHP H5 HFRUG &ODJ LVWUJFDOSRZ HU &ODJ URJ HQGDW &ODJSRZ HU &ODJ0 XQNSOHUAMV HDFWFLW &ODJHYHQVHFRUGV	&ODJHFRUGV	
in	Line	3 / SKDH ZLW 3 / SKDH ZLW	: LWQJ
	UPr,	9	3UP DJ VGHYRQWJHUMQJ
	USEC	9 9	6HFRQEDJ VGHYRQWJHUMQJ
	,Pr,	\$	0 HDXUHVHFXUHQVDMQJ DV 3UP DJ VGH VHHUHUHIXUFLUXLW
	,SEC	\$Ã \$Ã \$Ã \$Ã \$	6HFRQEDJ VGHFXUHQVDMQJ
	U.noñ	9	1 RP LQDQVFRQEDJ YRQWJH
	F.noñ	+]	1 RP LQDQ UHTXHQV
Coñ 1	Addr		&RP P XQLEDWRQDQGUHW
	bAUD		&RP P XQLEDWRQV/DXGUDM
	DATA	n.8.2	&RP P XQLEDWRQ&KHFNPRGH

		QRFKFN 6VRS EL' n.8.1 QRFKFN 6VRS EL' o.8.1 2 GGSDUW E.8.1 (YHQSDUW)	
dñd	ñodE	SL.P VOS F.4 II	' HP DGGP RGH
	y, d	V	' HP DGGVOS7LP H
	Pd	7	' HP DGGFDDXQWRQSHURG
do-1 do-2	SEL	UFRMFRQWRO DDUP	\$ DDP ZRUNQJ P RGH 6HIVFWRQ
	ALCH	&+	\$ DDP ØRS
	dLY	6	G-D
	bRnd		\$ DDP K VNUHLV
	ALH,		+LJKDDUP VHWQJ
	ALLo		/ RZ DDP VHSRQW
	In:0	21 RU2))	=HURDDUP HCECH

(QMJSURJUDP P LQJ P RGH

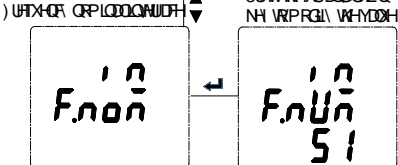
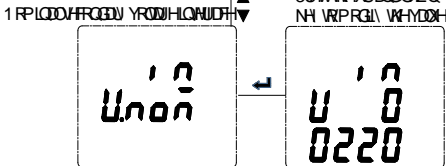
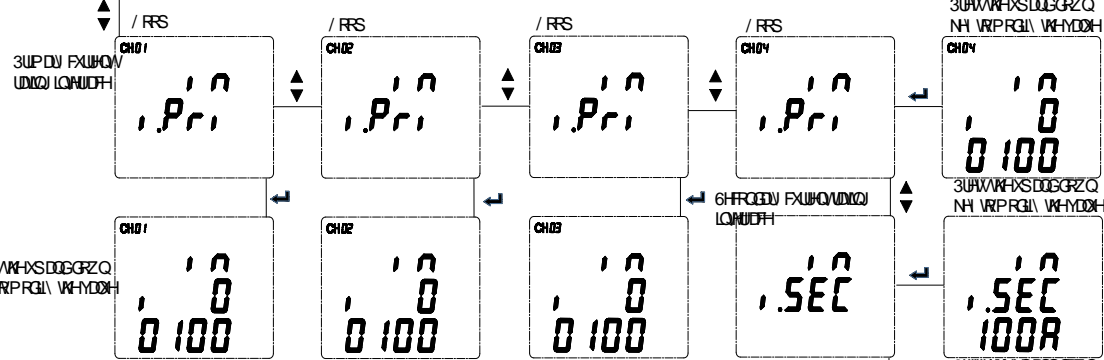
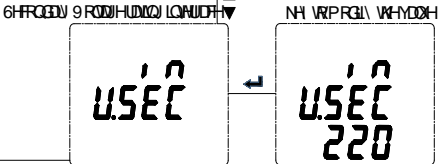
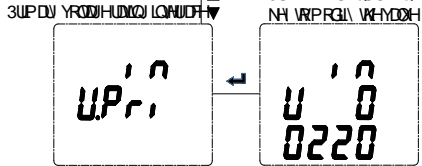
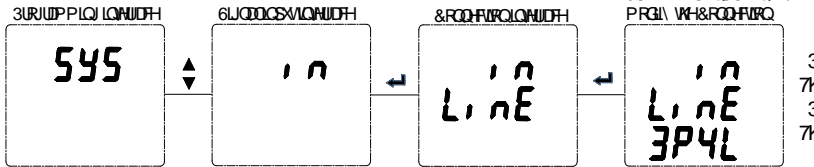


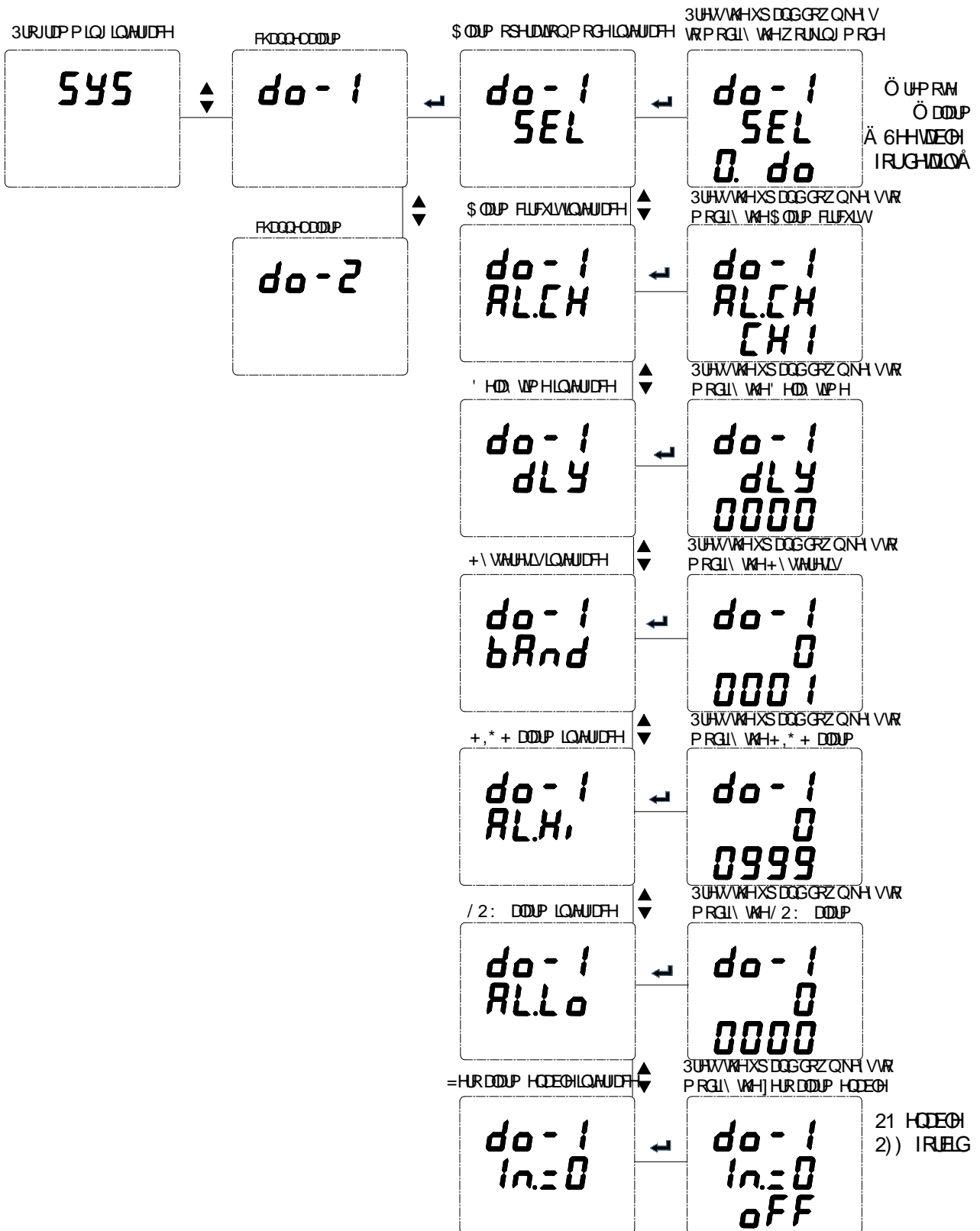
0 RGL\ 8 VHSZAZ RUGSXO HFRQWQVDFNDJKVGLDNRQVDFWRQRI HOFWIFHQJ\ SXOH DGGFDDUJFRUG



0 RGL\ & RQHFRQ0 RGH2 QHVR WP HYRQH & XUHQWUHQJ 1 RPLQDVFRQDU YRQW HDQJ1 RPLQDV
I UHXHQA

3 /
 7KUH SKOH I RXU ZLUH
 3 / 0
 7KUH SKOH VLUH ZLUH





7 DEOH

do. 1	FKQQ-HGZ LVK LQJ
RLCH	6HDFMRQR FLUFXLV

SEL	\$ @UP LMP VHWQJV								
	UP RM FRQARO	8 \$	8 %	8 &	SKDMHYROUJ P Q LP XP YDOXH	8 \$ %	8 %&	8 &\$	
	OQHYROUJ P Q LP XP YDOXH		,\$,%	,&	FXUHQV P Q LP XP YDOXH		3\$	3%
	3&	3VP	4 \$	4 %	4 &	4 VP	6\$	6% 6&	
	6VP	3)\$	3)%	3)&	3) VP)	9ROUJ LP EDDQFH	&XUHQV LP EDDQFH	
	' , OQNDJH		' , OQNDJH		6HJP HQ/BKDJH				
	7KHFRUJHSRGGLOJ FKGGQ-D ,Q				QHGVREHVHVR		7KHVFRGGZD ' 2 FDQEH VHW		
	/ RRQ								
	dLY	: KHQ VWH DDUP LMP 6(/ LV UP RM FRQARO ' / < LGGFDM VWH GUDMRO D MW VWH VZ LVKLOJ DP RXQW/DFWYDMG : KHQ VWH DDUP LMP 6(/ LVQRW DDUP ' / < LGGFDM VWHG-D V P HEH RUH VWH VZ LVKLOJ D MRO							
bAnd	+ \ VWHU V VHWQJ								
RLH	+ LJK DDUP YDOX VHWQJ GRQRVWHVHP Q LP XP								
ALLo	/ RZ DDUP YDOX VHWQJ GRQRVHVP LQP XP								
In=0	: KHWUOZ DDUP LVDOZ HGZKQVHVJQDLV / RRQLVHQEOG / RRI LVIRUEGGQ								

6DYH VHWQJ VDOGH LVV

VHSLQNUJH

dnd
Pd
15

dnd
Pd

SUWVHONH VRDYVWH
VHWQJVEFNVRVHSUJRXV
OYHE SUWVHONH VRUJQOR
VHSUJRXVPHXZLNRVW
VDLQJ

SET

dnd

SUWVHONH VRUJQOR
VHSUJRXVPHX

SET

SRUE
YES

SUWVSDGGZQNH VR
VHVRVHDOGRQRE SUWVONH
NH VRUJQORVNDYHDOG
UJQORVHGVSD LQNUJH

GVSD LQNUJH

L1 0.0
L2 0.0
L3 0.0

&RP P XQLFDMRQLQWVFMRO

&RP P XQLFDMRQDGGUHW

7KHVSHLLF\$' : ; ; 5 HJLVMDGGUHWV/DUHQVMEHOBZ

: RUG DGGUHW	9 DUJDECH	Z RUG VJ H	5 HCC Z UDA	8 QV	' DUDWSH	' HDXO' YDOXH	1 RAV
+	&RP P XQLFDMRQDGGUHW		5 :		XLQV BW		
+	&RP P XQLFDMRQ/DXG UDM		5 :		XLQV BW		

+	&RP P XQFDVRO&KFN PRGH		5 :		XIQV BW	1 (2 1
+	5 HMYH		5 :			
+	5 HMYH		5 :			
+	%DFNDKVGUDVRO		5 :	6	XIQV BW	6 UFSUHQV&RQMDQVEUJKQHW
+	+ 0 DVNUVCGV		5		XIQV BW	
+	+ 5 HMYH		5		XIQV BW	
\$+ % +	5 HMYH		5 :			
&+	1 XPEHURH HOFWIFDO SXOH/SHUGHUHH		5 :		XIQV BW	
' +	6SUHQGQJ IDFRUJ		5 :		XIQV BW	
(+	&KQQQD		5 :		XIQV BW	
) +	: LUQJ		5 :		XIQV BW	3 / 3 /
+	&QDUHFRUGV		:		XIQV BW	[&QDUQJ G-P DCGUFRUGV/ [&QDUQJ H] WFP HUFRUGV/ [&QDUQJ + LVWUWFDQBRZ HU [&QDUQJ) URJ HQGDM [&QDUQJ 3RZ HU [&QDUQJ 0 XQSDHUDM/ HOFWIFLW [&QDUQJ HYHQVFRUGV
+	3XOHFRQMDQV		5		XIQV BW	\$ \$ \$ \$ \$
+	(QHJ\ SXOHVHOFVRO		5 :		XIQV BW	/ / RRSDFWYHHQHJ\ SXOH / / RRSDFWYHHQHJ\ SXOH / / RRSDFWYHHQHJ\ SXOH / / RRSDFWYHHQHJ\ SXOH &GFNSXOH / / RRSDFWYHHOFWIFDQHQHJ\ RGFH IRURQHSXOH / / RRSDFWYHHOFWIFDQHQHJ\ RGFH IRURQHSXOH / / RRSDFWYHHOFWIFDQHQHJ\ RGFH IRURQHSXOH / / RRSDFWYHHOFWIFDQHQHJ\ RGFH IRURQHSXOH
+	3UJ DV YROUHUDVQJ		5 :	9	XIQV BW	9
+	&+ 3UJ DV &XUHQV UDVQJ		5 :	\$	XIQV BW	\$
+	&+ 3UJ DV &XUHQV UDVQJ		5 :	\$	XIQV BW	\$
+	&+ 3UJ DV &XUHQV UDVQJ		5 :	\$	XIQV BW	\$

+	&+ 3UJ DV &XUHQV UDWQJ		5 :	\$	XLQV BW		\$
+	6HFRQGV &XUHQV UDWQJ		5 :	\$	XLQV BW		\$Ã \$Ã \$Ã \$Ã \$
+	6HFRQGV 9 RQWJH 1 RP LQDOYDQX		5 :	9	XLQV BW		9
\$+) UHTXHQ 1 RP LQDO YDQX		5 :	+]	XLQV BW		
%+	3KDVHQWDDUP VHW YDQX		5 :	9	XLQV BW		
&+	5HD ' 2 DDUP VDFWVQFLVFXVQPEH		5 :		XLQV BW		[&+ [&+ [&+ [&+
' +	5HD ' 2 ZRNLQJ PRGH		5 :		XLQV BW		UJPRMFRQVRO DDUP) RU GHVQV VHH
(+	' HD WPH		5 :	6	XLQV BW		
) +	\$ DDUP K VAWHLV		5 :		XLQV BW		&RQVWQVZLVK VHWUDAGYDQXRI RQH PHDXUP HQV
+	+ LJKDDUP VHWQJ		5 :		XLQV BW		&RQVWQVZLVK VHWUDAGYDQXRI RQH PHDXUP HQV
+	/ RZ DDUP VHSRLQV		5 :		XLQV BW		&RQVWQVZLVK VHWUDAGYDQXRI RQH PHDXUP HQV
+	=HURDDUP HQEQH		5 :		XLQV BW) RUEG (QEQH
+ +	5HD ' 2 FRQLXUDWQJ		5 :		XLQV BW		6DP HDVUHD
\$+	' 2 B6		5 :				5HD VDMVHWQJ RI GLWDDP RGXQJ RSHQ FORH
%+	' 2 B6		5 :				
&+	' 2 B6		5 :				
' +	' 2 B6		5 :				
(+	' 2 B6		5 :				
) +	' 2 B6		5 :				5HD VDMVHWQJ RI GLWDDP RGXQJ RSHQ FORH
+	' 2 B6		5 :				
+	' 2 B6		5 :				
+	< HDUO RQK		5 :		XLQV BW		
+	' D ZHN		5 :		XLQV BW		
+	+ RXUO LQVM		5 :		XLQV BW		
+	VFRQG5HHLVH		5 :		XLQV BW		
+	' ,		5 :		XLQV BW		
+	' ,		5 :		XLQV BW		
+	' D IUVHMPH		5 :		XLQV BW	[+ LKELV5HHLVH / RZ ELWKRXU
+	' HP DGGPRGH		5 :		XLQV BW		6DS WSH) UHG WSH
\$+	' HP DGGVDS WPH W		5 :		XLQV BW		6
%+	' HP DGGFDGXWQJ		5 :		XLQV BW		W

	F FØI 7						
&+	' 2		5 :		XLQV BW		RSHQ FØVH
' +	' 2		5 :		XLQV BW		RSHQ FØVH
(+	0 RGØIUD PRGH		5 :		XLQV BW		ÖØYHO SXØÄ & ØVXUHGUDMRQ
) + + « «) LUWVPHØØI 6VUWVPHRI SHURG ' D 6VUWVPHRI SHURG 0 RQKV) RXUW RI WPHØØI 6VUWVPHRI SHURG ' D 6VUWVPHRI SHURG 0 RQKV	[5 :		XLQV BW		WPHØØI FRUHSRQG) LUWV FRUHSRQG6HFRQG
+ + « «) LUWVPHØØI 3HURG 5 DM1 XPEHU 6VUWVPHRI SHURG 0 LQXW 6VUWVPHRI SHURG 7LPH « « 3HURG 5 DM1 XPEHU 6VUWVPHRI SHURG 0 LQXW 6VUWVPHRI SHURG 7LPH	[5 :		XLQV BW		5 DMQXPEHU FRUHSRQGS FRUHSRQGSØN FRUHSRQGOYHO FRUHSRQG9 ØØI
\$+ (+ « «	6HFRQWPHØØI 3HURG 5 DM1 XPEHU 6VUWVPHRI SHURG 0 LQXW 6VUWVPHRI SHURG 7LPH « « 3HURG 5 DM1 XPEHU 6VUWVPHRI SHURG 0 LQXW 6VUWVPHRI SHURG 7LPH	[5 :		XLQV BW		5 DMQXPEHU FRUHSRQGS FRUHSRQGSØN FRUHSRQGOYHO FRUHSRQG9 ØØI
) +	0 HMUJØGQJ ØØI		5 :		XLQV BW	[&	7LPH' D
+ +	, QWKP HQVHUØØI QXPEHU		5 :		8 LQV BW	\$ FØØ	\$ 6&., FRGH

3RZ HUSDLP HMURI ØRS

\$ GØJW	9 DUEØI	ZRUGVJH	5 HØG ZUAM	8 QV	' DØVSH
	&+ \$ 3KØVH9RØØH		5	9	1ØØV

	&+ %3KDVH9RQWJH		5	9	IQDV
	&+ & 3KDVH9RQWJH		5	9	IQDV
	&+ \$%QCH9RQWJH		5	9	IQDV
	&+ %& QCH9RQWJH		5	9	IQDV
\$ %	&+ &\$ QCH9RQWJH		5	9	IQDV
& '	&+) UHTXHQF		5	+]	IQDV
()	&+ \$ 3KDVH&XUJHQV		5	\$	IQDV
	&+ %3KDVH&XUJHQV		5	\$	IQDV
	&+ & 3KDVH&XUJHQV		5	\$	IQDV
	&+ =HURVHTXHQFH&XUJHQV		5	\$	IQDV
	&+ \$ 3KDVH\$ FMYHSRZHU		5	:	IQDV
	&+ %3KDVH\$ FMYHSRZHU		5	:	IQDV
\$ %	&+ & 3KDVH\$ FMYHSRZHU		5	:	IQDV
& '	&+ VMDQ\$ FMYHSRZHU		5	:	IQDV
()	&+ \$ 3KDVH5 HDFMYHSRZHU		5	YDU	IQDV
	&+ %3KDVH5 HDFMYHSRZHU		5	YDU	IQDV
	&+ & 3KDVH5 HDFMYHSRZHU		5	YDU	IQDV
	&+ VMDQ5 HDFMYHSRZHU		5	YDU	IQDV
	&+ \$ 3KDVHDSSDUHQVSRZHU		5	9\$	IQDV
	&+ %3KDVHDSSDUHQVSRZHU		5	9\$	IQDV
\$ %	&+ & 3KDVHDSSDUHQVSRZHU		5	9\$	IQDV
& '	&+ VMDQDSSDUHQVSRZHU		5	9\$	IQDV
()	&+ \$ 3KDVHSRZHUIDFVJU		5		IQDV
	&+ %3KDVHSRZHUIDFVJU		5		IQDV
	&+ & 3KDVHSRZHUIDFVJU		5		IQDV
	&+ VMDQSRZHUIDFVJU		5		IQDV
	&+ \$ 3KDVH3RMYHDFMYHHQJ\		5	N K	IQDV
	&+ %3KDVH3RMYHDFMYHHQJ\		5	N K	IQDV
\$ %	&+ & 3KDVH3RMYHDFMYHHQJ\		5	N K	IQDV
& '	&+ VMDQ3RMYHDFMYHHQJ\		5	N K	IQDV
()	&+ \$ 3KDVH5 HYHUHDFMYHHQJ\		5	N K	IQDV
	&+ %3KDVH5 HYHUHDFMYHHQJ\		5	N K	IQDV
	&+ & 3KDVH5 HYHUHDFMYHHQJ\		5	N K	IQDV
	&+ VMDQ5 HYHUHDFMYHHQJ\		5	N K	IQDV
	&+ \$ 3KDVH) RIZ DUGUHFMYHHQJ\		5	NYDUK	IQDV
	&+ %3KDVH) RIZ DUGUHFMYHHQJ\		5	NYDUK	IQDV
\$ %	&+ & 3KDVH) RIZ DUGUHFMYHHQJ\		5	NYDUK	IQDV
& '	&+ VMDQ) RIZ DUGUHFMYHHQJ\		5	NYDUK	IQDV
()	&+ \$ 3KDVH5 HYHUHUHFMYHHQJ\		5	NYDUK	IQDV
	&+ %3KDVH5 HYHUHUHFMYHHQJ\		5	NYDUK	IQDV
	&+ & 3KDVH5 HYHUHUHFMYHHQJ\		5	NYDUK	IQDV
	&+ VMDQ5 HYHUHUHFMYHHQJ\		5	NYDUK	IQDV

(QFVMDQSDLP HMUJIRUQSRV 3RZ HUSDLP HMURI UHJHQFHFLFXLW

	&+ \$ 3KDVH9RQWJH	\$& \$'	&+ \$ 3KDVH9RQWJH		&+ \$ 3KDVH9RQWJH
	&+ %3KDVH9RQWJH	\$(\$)	&+ %3KDVH9RQWJH		&+ %3KDVH9RQWJH

\$ %	&+ & 3KDVH9RQWJH	% %	&+ & 3KDVH9RQWJH		&+ & 3KDVH9RQWJH
& '	&+ \$%/ LQH9RQWJH	% %	&+ \$%/ LQH9RQWJH		&+ \$%/ LQH9RQWJH
()	&+ %& / LQH9RQWJH	% %	&+ %& / LQH9RQWJH	\$ %	&+ %& / LQH9RQWJH
	&+ &\$ / LQH9RQWJH	% %	&+ &\$ / LQH9RQWJH	& '	&+ &\$ / LQH9RQWJH
	&+) UHTX-HCF	% %	&+) UHTX-HCF	()	&+) UHTX-HCF
	&+ \$ 3KDVH&XUWQV	\$\$\$ %%	&+ \$ 3KDVH&XUWQV		&+ \$ 3KDVH&XUWQV
	&+ %3KDVH&XUWQV	%& %	&+ %3KDVH&XUWQV		&+ %3KDVH&XUWQV
	&+ & 3KDVH&XUWQV	%(%)	&+ & 3KDVH&XUWQV		&+ & 3KDVH&XUWQV
\$ %	&+ =HUR VHTX-HCFH &XUWQV	& &	&+ =HUR VHTX-HCFH &XUWQV		&+ =HUR VHTX-HCFH &XUWQV
& '	&+ \$ 3KDVH\$ FVWYH SRZ HU	& &	&+ \$ 3KDVH\$ FVWYH SRZ HU		&+ \$ 3KDVH\$ FVWYH SRZ HU
()	&+ %3KDVH\$ FVWYH SRZ HU	& &	&+ %3KDVH\$ FVWYH SRZ HU	\$ %	&+ %3KDVH\$ FVWYH SRZ HU
	&+ & 3KDVH\$ FVWYH SRZ HU	& &	&+ & 3KDVH\$ FVWYH SRZ HU	& '	&+ & 3KDVH\$ FVWYH SRZ HU
	&+ VMD\$ FVWYHSRZ HU	& &	&+ VMD\$ FVWYHSRZ HU	()	&+ VMD\$ FVWYHSRZ HU
	&+ \$ 3KDVH5 HCFVWYH SRZ HU	&\$ &%	&+ \$ 3KDVH5 HCFVWYH SRZ HU		&+ \$ 3KDVH5 HCFVWYH SRZ HU
	&+ %3KDVH5 HCFVWYH SRZ HU	&& &'	&+ %3KDVH5 HCFVWYH SRZ HU		&+ %3KDVH5 HCFVWYH SRZ HU
	&+ & 3KDVH5 HCFVWYH SRZ HU	&(&)	&+ & 3KDVH5 HCFVWYH SRZ HU		&+ & 3KDVH5 HCFVWYH SRZ HU
\$ %	&+ VMD\$5 HCFVWYH SRZ HU	' '	&+ VMD\$5 HCFVWYH SRZ HU		&+ VMD\$5 HCFVWYH SRZ HU
& '	&+ \$ 3KDVHDS\$DUHQV SRZ HU	' '	&+ \$ 3KDVHDS\$DUHQV SRZ HU		&+ \$ 3KDVHDS\$DUHQV SRZ HU
()	&+ %3KDVHDS\$DUHQV SRZ HU	' '	&+ %3KDVHDS\$DUHQV SRZ HU	\$ %	&+ %3KDVHDS\$DUHQV SRZ HU
	&+ & 3KDVHDS\$DUHQV SRZ HU	' '	&+ & 3KDVHDS\$DUHQV SRZ HU	& '	&+ & 3KDVHDS\$DUHQV SRZ HU
	&+ VMD\$DS\$DUHQV SRZ HU	' '	&+ VMD\$DS\$DUHQV SRZ HU	()	&+ VMD\$DS\$DUHQV SRZ HU
	&+ \$ 3KDVH SRZ HUI DFRU	' \$ ' %	&+ \$ 3KDVH SRZ HUI DFRU		&+ \$ 3KDVH SRZ HUI DFRU
	&+ %3KDVH SRZ HUI DFRU	' & ''	&+ %3KDVH SRZ HUI DFRU		&+ %3KDVH SRZ HUI DFRU
	&+ & 3KDVH SRZ HUI DFRU	' (')	&+ & 3KDVH SRZ HUI DFRU		&+ & 3KDVH SRZ HUI DFRU
\$ %	&+ VMD\$SRZ HUI DFRU	((&+ VMD\$SRZ HUI DFRU		&+ VMD\$SRZ HUI DFRU
& '	&+ \$ 3KDVH3R\$VWYH DFVWYH-HQJ\	((&+ \$ 3KDVH3R\$VWYH DFVWYH-HQJ\		&+ \$ 3KDVH3R\$VWYH DFVWYH-HQJ\
()	&+ %3KDVH3R\$VWYH DFVWYH-HQJ\	((&+ %3KDVH3R\$VWYH DFVWYH-HQJ\	\$ %	&+ %3KDVH3R\$VWYH DFVWYH-HQJ\
	&+ & 3KDVH 3R\$VWYH	((&+ & 3KDVH 3R\$VWYH	& '	&+ & 3KDVH 3R\$VWYH

	DFWYHHQHJ\		DFWYHHQHJ\		DFWYHHQHJ\
	&+ VMD03RVDYH DFWYHHQHJ\	((&+ VMD03RVDYHDFWYH HQHJ\	()	&+ VMD03RVDYHDFWYH HQHJ\
	&+ \$ 3KDV5HYHJH DFWYHHQHJ\	(\$ (%	&+ \$ 3KDV5HYHJH DFWYHHQHJ\		&+ \$ 3KDV5HYHJH DFWYHHQHJ\
	&+ %3KDV5HYHJH DFWYHHQHJ\	(& ('	&+ %3KDV5HYHJH DFWYHHQHJ\		&+ %3KDV5HYHJH DFWYHHQHJ\
	&+ & 3KDV5HYHJH DFWYHHQHJ\	((()	&+ & 3KDV5HYHJH DFWYHHQHJ\		&+ & 3KDV5HYHJH DFWYHHQHJ\
\$ %	&+ VMD05HYHJH DFWYHHQHJ\))	&+ VMD05HYHJHDFWYH HQHJ\		&+ VMD05HYHJHDFWYH HQHJ\
& '	&+ \$ 3KDV) RZ DUG UHFVYHHQHJ\))	&+ \$ 3KDV) RZ DUG UHFVYHHQHJ\		&+ \$ 3KDV) RZ DUG UHFVYHHQHJ\
()	&+ %3KDV) RZ DUG UHFVYHHQHJ\))	&+ %3KDV) RZ DUG UHFVYHHQHJ\	\$ %	&+ %3KDV) RZ DUG UHFVYHHQHJ\
\$ \$	&+ & 3KDV) RZ DUG UHFVYHHQHJ\))	&+ & 3KDV) RZ DUG UHFVYHHQHJ\	& '	&+ & 3KDV) RZ DUG UHFVYHHQHJ\
\$ \$	&+ VMD0) RZ DUG UHFVYHHQHJ\))	&+ VMD0) RZ DUG UHFVYHHQHJ\	()	&+ VMD0) RZ DUG UHFVYHHQHJ\
\$ \$	&+ \$ 3KDV 5HYHJH UHFVYHHQHJ\)\$)%	&+ \$ 3KDV 5HYHJH UHFVYHHQHJ\		&+ \$ 3KDV 5HYHJH UHFVYHHQHJ\
\$ \$	&+ %3KDV 5HYHJH UHFVYHHQHJ\)&)'	&+ %3KDV 5HYHJH UHFVYHHQHJ\		&+ %3KDV 5HYHJH UHFVYHHQHJ\
\$ \$	&+ & 3KDV 5HYHJH UHFVYHHQHJ\)()	&+ & 3KDV 5HYHJH UHFVYHHQHJ\		&+ & 3KDV 5HYHJH UHFVYHHQHJ\
\$\$ \$%	&+ VMD05HYHJH UHFVYHHQHJ\		&+ VMD05HYHJH UHFVYHHQHJ\		&+ VMD05HYHJH UHFVYHHQHJ\

+ DUP RQF GDV

: RUG DGGUW	9 DUDEOH	ZRUG VJH	5HDG ZUWM	8 QW	' D0 WSH	1 RAV
	\$ 3KDV9 R0W H3KDV\$ Q0H		5		I0DV	
	%3KDV9 R0W H3KDV\$ Q0H		5		I0DV	
	& 3KDV9 R0W H3KDV\$ Q0H		5		I0DV	
	&+ \$ 3KDV&XUHQ/3KDV\$ Q0H		5		I0DV	
	&+ %3KDV&XUHQ/3KDV\$ Q0H		5		I0DV	
\$ %	&+ & 3KDV&XUHQ/3KDV\$ Q0H		5		I0DV	
& '	&+ \$ 3KDV&XUHQ/3KDV\$ Q0H		5		I0DV	
()	&+ %3KDV&XUHQ/3KDV\$ Q0H		5		I0DV	
	&+ & 3KDV&XUHQ/3KDV\$ Q0H		5		I0DV	
	&+ \$ 3KDV&XUHQ/3KDV\$ Q0H		5		I0DV	
	&+ %3KDV&XUHQ/3KDV\$ Q0H		5		I0DV	
	&+ & 3KDV&XUHQ/3KDV\$ Q0H		5		I0DV	
	&+ \$ 3KDV&XUHQ/3KDV\$ Q0H		5		I0DV	
\$ %	&+ %3KDV&XUHQ/3KDV\$ Q0H		5		I0DV	
& '	&+ & 3KDV&XUHQ/3KDV\$ Q0H		5		I0DV	

()	9 R0WJHGJUHRI XCEDDQFH	5		I0DV
	&+ &XUHQVGHJUHRI XCEDDQFH	5		I0DV
	&+ &XUHQVGHJUHRI XCEDDQFH	5		I0DV
	&+ &XUHQVGHJUHRI XCEDDQFH	5		I0DV
	&+ &XUHQVGHJUHRI XCEDDQFH	5		I0DV
	\$ 3KDVH9 R0WJHGJYDNRQ	5		I0DV
\$ %	%3KDVH9 R0WJHGJYDNRQ	5		I0DV
& '	& 3KDVH9 R0WJHGJYDNRQ	5		I0DV
()	\$/ LQH9 R0WJHGJYDNRQ	5		I0DV
	%& / LQH9 R0WJHGJYDNRQ	5		I0DV
	&\$ / LQH9 R0WJHGJYDNRQ	5		I0DV
) UHTXHQF GJYDNRQ	5		I0DV
	\$ 3KDVH9 R0WJHVRMD+ DUP RQF' LVAVNRQUDM	5		LQV BW
	%3KDVH9 R0WJHVRMD+ DUP RQF' LVAVNRQUDM	5		LQV BW
	& 3KDVH9 R0WJHVRMD+ DUP RQF' LVAVNRQUDM	5		LQV BW
	&+ \$ 3KDVH&XUHQVVRMD+ DUP RQF' LVAVNRQUDM	5		LQV BW
\$	&+ %3KDVH&XUHQVVRMD+ DUP RQF' LVAVNRQUDM	5		LQV BW
%	&+ & 3KDVH&XUHQVVRMD+ DUP RQF' LVAVNRQUDM	5		LQV BW
&	&+ \$ 3KDVH&XUHQVVRMD+ DUP RQF' LVAVNRQUDM	5		LQV BW
'	&+ %3KDVH&XUHQVVRMD+ DUP RQF' LVAVNRQUDM	5		LQV BW
(&+ & 3KDVH&XUHQVVRMD+ DUP RQF' LVAVNRQUDM	5		LQV BW
)	&+ \$ 3KDVH&XUHQVVRMD+ DUP RQF' LVAVNRQUDM	5		LQV BW
	&+ %3KDVH&XUHQVVRMD+ DUP RQF' LVAVNRQUDM	5		LQV BW
	&+ & 3KDVH&XUHQVVRMD+ DUP RQF' LVAVNRQUDM	5		LQV BW
	&+ \$ 3KDVH&XUHQVVRMD+ DUP RQF' LVAVNRQUDM	5		LQV BW
	&+ %3KDVH&XUHQVVRMD+ DUP RQF' LVAVNRQUDM	5		LQV BW
	&+ & 3KDVH&XUHQVVRMD+ DUP RQF' LVAVNRQUDM	5		LQV BW
	\$ 3KDVH9 R0WJH WP HV+ DUP RQF' LVAVNRQUDM	5		LQV BW
	%3KDVH9 R0WJH WP HV+ DUP RQF' LVAVNRQUDM	5		LQV BW
	& 3KDVH9 R0WJH WP HV+ DUP RQF' LVAVNRQUDM	5		LQV BW
		5		LQV BW
	\$ 3KDVH9 R0WJH WP HV+ DUP RQF' LVAVNRQUDM	5		LQV BW
	%3KDVH9 R0WJH WP HV+ DUP RQF' LVAVNRQUDM	5		LQV BW
(& 3KDVH9 R0WJH WP HV+ DUP RQF' LVAVNRQUDM	5		LQV BW
)	&+ \$ 3KDVH&XUHQV WP HV+ DUP RQF' LVAVNRQUDM	5		LQV BW
	&+ %3KDVH&XUHQV WP HV+ DUP RQF' LVAVNRQUDM	5		LQV BW
	&+ & 3KDVH&XUHQV WP HV+ DUP RQF' LVAVNRQUDM	5		LQV BW
		5		LQV BW
	&+ \$ 3KDVH&XUHQV WP HV+ DUP RQF' LVAVNRQUDM	5		LQV BW
	&+ %3KDVH&XUHQV WP HV+ DUP RQF' LVAVNRQUDM	5		LQV BW
)	&+ & 3KDVH&XUHQV WP HV+ DUP RQF' LVAVNRQUDM	5		LQV BW
)	&+ \$ 3KDVH&XUHQV WP HV+ DUP RQF' LVAVNRQUDM	5		LQV BW
	&+ %3KDVH&XUHQV WP HV+ DUP RQF' LVAVNRQUDM	5		LQV BW
	&+ & 3KDVH&XUHQV WP HV+ DUP RQF' LVAVNRQUDM	5		LQV BW
		5		LQV BW

' HP DQG VDYH

: RUG DGGUHV	9 DUJDEOH 7KLV 0 RQK	Z RUG VJ H	5 HDG Z UDM	8 QW	' DOWSH	1 RAV	
	&+ \$ 3KDVH&XUHQV 0 RQK 0 Q LP XP G-P DQG		5	\$	I ØDV		
	7LP HRI RFXUHQFH		5		XLQV BW	< HDU	0 RQK
			5		XLQV BW	' D	7LP H
			5		XLQV BW	0 LQXM	
	&+ %3KDVH&XUHQV 0 RQK 0 Q LP XP G-P DQG		5	\$	I ØDV		
	7LP HRI RFXUHQFH		5		XLQV BW	< HDU	0 RQK
			5		XLQV BW	' D	7LP H
			5		XLQV BW	0 LQXM	
\$ %	&+ & 3KDVH&XUHQV 0 RQK 0 Q LP XP G-P DQG		5	\$	I ØDV		
&	7LP HRI RFXUHQFH		5		XLQV BW	< HDU	0 RQK
'			5		XLQV BW	' D	7LP H
(5		XLQV BW	0 LQXM	
)	&+ \$ 3KDVH SRZ HU 0 RQK 0 Q LP XP G-P DQG		5	:	I ØDV		
	7LP HRI RFXUHQFH		5		XLQV BW	< HDU	0 RQK
			5		XLQV BW	' D	7LP H
			5		XLQV BW	0 LQXM	
	&+ %3KDVH SRZ HU 0 RQK 0 Q LP XP G-P DQG		5	:	I ØDV		
	7LP HRI RFXUHQFH		5		XLQV BW	< HDU	0 RQK
			5		XLQV BW	' D	7LP H
			5		XLQV BW	0 LQXM	
\$	&+ & 3KDVH SRZ HU 0 RQK 0 Q LP XP G-P DQG		5	:	I ØDV		
%	7LP HRI RFXUHQFH		5		XLQV BW	< HDU	0 RQK
&			5		XLQV BW	' D	7LP H
'			5		XLQV BW	0 LQXM	
()	&+ VMDSRZ HU 0 RQK 0 Q LP XP G-P DQG		5	:	I ØDV		
	7LP HRI RFXUHQFH		5		XLQV BW	< HDU	0 RQK
			5		XLQV BW	' D	7LP H
			5		XLQV BW	0 LQXM	
	&+ \$ 3KDVH&XUHQV 0 RQK 0 Q LP XP G-P DQG		5	\$	I ØDV		
	7LP HRI RFXUHQFH		5		XLQV BW	< HDU	0 RQK
			5		XLQV BW	' D	7LP H
			5		XLQV BW	0 LQXM	
	&+ %3KDVH&XUHQV 0 RQK 0 Q LP XP G-P DQG		5	\$	I ØDV		

\$			5			XLQV BW	< HDU	0 RQK
%	7LP HRI RFXUHQFH		5			XLQV BW	' D	7LP H
&			5			XLQV BW	0 LQXM	
'	&+ & 3KDVH&XUHQV RQKV 0 Q LP XP G-P DQG		5	\$		I ØDV		
(5			XLQV BW	< HDU	0 RQK
)	7LP HRI RFXUHQFH		5			XLQV BW	' D	7LP H
			5			XLQV BW	0 LQXM	
	&+ \$ 3KDVH SRZ HUO RQKV 0 Q LP XP G-P DQG		5	:		I ØDV		
			5			XLQV BW	< HDU	0 RQK
	7LP HRI RFXUHQFH		5			XLQV BW	' D	7LP H
			5			XLQV BW	0 LQXM	
	&+ %3KDVH SRZ HUO RQKV 0 Q LP XP G-P DQG		5	:		I ØDV		
			5			XLQV BW	< HDU	0 RQK
\$	7LP HRI RFXUHQFH		5			XLQV BW	' D	7LP H
%			5			XLQV BW	0 LQXM	
&	&+ & 3KDVH SRZ HUO RQKV 0 Q LP XP G-P DQG		5	:		I ØDV		
(5			XLQV BW	< HDU	0 RQK
)	7LP HRI RFXUHQFH		5			XLQV BW	' D	7LP H
			5			XLQV BW	0 LQXM	
	&+ VMDOSRZ HUO RQKV 0 Q LP XP G-P DQG		5	:		I ØDV		
			5			XLQV BW	< HDU	0 RQK
	7LP HRI RFXUHQFH		5			XLQV BW	' D	7LP H
			5			XLQV BW	0 LQXM	
	&+ \$ 3KDVH&XUHQV RQKV 0 Q LP XP G-P DQG		5	\$		I ØDV		
			5			XLQV BW	< HDU	0 RQK
\$	7LP HRI RFXUHQFH		5			XLQV BW	' D	7LP H
			5			XLQV BW	0 LQXM	
%	&+ %3KDVH&XUHQV RQKV 0 Q LP XP G-P DQG		5	\$		I ØDV		
'			5			XLQV BW	< HDU	0 RQK
(7LP HRI RFXUHQFH		5			XLQV BW	' D	7LP H
)			5			XLQV BW	0 LQXM	
	&+ & 3KDVH&XUHQV RQKV 0 Q LP XP G-P DQG		5	\$		I ØDV		
			5			XLQV BW	< HDU	0 RQK
	7LP HRI RFXUHQFH		5			XLQV BW	' D	7LP H
			5			XLQV BW	0 LQXM	
	&+ \$ 3KDVH SRZ HUO RQKV 0 Q LP XP G-P DQG		5	:		I ØDV		

		5		XLQV BW	< HDU	0 RQK
	7LP HRI RFXUHQFH	5		XLQV BW	' D	7LP H
		5		XLQV BW	0 LQXM	
\$ %	&+ %3KDVH SRZ HUO RQKV 0 Q LP XP G-P DQG	5	:	I ØDV		
&		5		XLQV BW	< HDU	0 RQK
'	7LP HRI RFXUHQFH	5		XLQV BW	' D	7LP H
(5		XLQV BW	0 LQXM	
)	&+ & 3KDVH SRZ HUO RQKV 0 Q LP XP G-P DQG	5	:	I ØDV		
		5		XLQV BW	< HDU	0 RQK
	7LP HRI RFXUHQFH	5		XLQV BW	' D	7LP H
		5		XLQV BW	0 LQXM	
	&+ VADDSRZ HUO RQKV 0 Q LP XP G-P DQG	5	:	I ØDV		
		5		XLQV BW	< HDU	0 RQK
	7LP HRI RFXUHQFH	5		XLQV BW	' D	7LP H
		5		XLQV BW	0 LQXM	
\$	&+ \$ 3KDVH&XUHQV RQKV 0 Q LP XP G-P DQG	5	\$	I ØDV		
%		5		XLQV BW	< HDU	0 RQK
&	7LP HRI RFXUHQFH	5		XLQV BW	' D	7LP H
'		5		XLQV BW	0 LQXM	
()	&+ %3KDVH&XUHQV RQKV	5	\$	I ØDV		
		5		XLQV BW	< HDU	0 RQK
	7LP HRI 0 Q LP XP G-P DQG	5		XLQV BW	' D	7LP H
		5		XLQV BW	0 LQXM	
	&+ & 3KDVH&XUHQV RQKV 0 Q LP XP G-P DQG	5	\$	I ØDV		
		5		XLQV BW	< HDU	0 RQK
	7LP HRI RFXUHQFH	5		XLQV BW	' D	7LP H
		5		XLQV BW	0 LQXM	
	&+ \$ 3KDVH SRZ HUO RQKV 0 Q LP XP G-P DQG	5	:	I ØDV		
\$		5		XLQV BW	< HDU	0 RQK
%	7LP HRI RFXUHQFH	5		XLQV BW	' D	7LP H
&		5		XLQV BW	0 LQXM	
' (&+ %3KDVH SRZ HUO RQKV 0 Q LP XP G-P DQG	5	:	I ØDV		
)		5		XLQV BW	< HDU	0 RQK
	7LP HRI RFXUHQFH	5		XLQV BW	' D	7LP H
		5		XLQV BW	0 LQXM	
	&+ & 3KDVH SRZ HUO RQKV 0 Q LP XP G-P DQG	5	:	I ØDV		
	7LP HRI RFXUHQFH	5		XLQV BW	< HDU	0 RQK

		5		XLQV BW	' D	7LP H
		5		XLQV BW	0 LQXW	
	&+ VRMDSRZ HUO RQKV 0 Q LP XP G-P DQG	5	:	I ØDV		
		5		XLQV BW	< HDU	0 RQK
\$	7LP HRI RFFXUWHQH	5		XLQV BW	' D	7LP H
%		5		XLQV BW	0 LQXW	

: RUG DGUHW	9DULDECHÄ / DWVPRQVÄ	: RUG VLJH	5HDG ZULVH	8QLW	' DVH WSH	1 RNV
& '	&+ \$ 3KDVH&XUWHQV RQKV 0 Q LP XP G-P DQG		5	\$	I ØDV	
(5		XLQV BW	< HDU
)	7LP HRI RFFXUWHQH		5		XLQV BW	' D
			5		XLQV BW	0 LQXW
	&+ %3KDVH&XUWHQV RQKV 0 Q LP XP G-P DQG		5	\$	I ØDV	
			5		XLQV BW	< HDU
	7LP HRI RFFXUWHQH		5		XLQV BW	' D
			5		XLQV BW	0 LQXW
	&+ & 3KDVH&XUWHQV RQKV 0 Q LP XP G-P DQG		5	\$	I ØDV	
			5		XLQV BW	< HDU
	7LP HRI RFFXUWHQH		5		XLQV BW	' D
\$			5		XLQV BW	0 LQXW
% &	&+ \$ 3KDVH SRZ HUO RQKV 0 Q LP XP G-P DQG		5	:	I ØDV	
'			5		XLQV BW	< HDU
(7LP HRI RFFXUWHQH		5		XLQV BW	' D
)			5		XLQV BW	0 LQXW
\$ \$	&+ %3KDVH SRZ HUO RQKV 0 Q LP XP G-P DQG		5	:	I ØDV	
\$			5		XLQV BW	< HDU
\$	7LP HRI RFFXUWHQH		5		XLQV BW	' D
\$			5		XLQV BW	0 LQXW
\$ \$	&+ & 3KDVH SRZ HUO RQKV 0 Q LP XP G-P DQG		5	:	I ØDV	
\$			5		XLQV BW	< HDU
\$	7LP HRI RFFXUWHQH		5		XLQV BW	' D
\$			5		XLQV BW	0 LQXW
\$ \$ \$	&+ VRMDSRZ HUO RQKV 0 Q LP XP G-P DQG		5	:	I ØDV	
\$ &			5		XLQV BW	< HDU
\$ '	7LP HRI RFFXUWHQH		5		XLQV BW	' D
\$ (5		XLQV BW	0 LQXW

\$) %	&+ \$ 3KDVH&XUWHQV RQKV 0 Q LP XP G-P DQG		5	\$	I ØDV		
%	7LP HRI RFXUWHQH		5		XLQV BW	< HDU	0 RQKV
%			5		XLQV BW	' D	7LP H
%			5		XLQV BW	0 LQXW	
% %	&+ %3KDVH&XUWHQV RQKV 0 Q LP XP G-P DQG		5	\$	I ØDV		
%	7LP HRI RFXUWHQH		5		XLQV BW	< HDU	0 RQKV
%			5		XLQV BW	' D	7LP H
%			5		XLQV BW	0 LQXW	
% % \$	&+ & 3KDVH&XUWHQV RQKV 0 Q LP XP G-P DQG		5	\$	I ØDV		
%%	7LP HRI RFXUWHQH		5		XLQV BW	< HDU	0 RQKV
%&			5		XLQV BW	' D	7LP H
%			5		XLQV BW	0 LQXW	
%(%)	&+ \$ 3KDVH SRZ HU RQKV 0 Q LP XP G-P DQG		5	:	I ØDV		
&	7LP HRI RFXUWHQH		5		XLQV BW	< HDU	0 RQKV
&			5		XLQV BW	' D	7LP H
&			5		XLQV BW	0 LQXW	
& &	&+ %3KDVH SRZ HU RQKV 0 Q LP XP G-P DQG		5	:	I ØDV		
&	7LP HRI RFXUWHQH		5		XLQV BW	< HDU	0 RQKV
&			5		XLQV BW	' D	7LP H
&			5		XLQV BW	0 LQXW	
& &	&+ & 3KDVH SRZ HU RQKV 0 Q LP XP G-P DQG		5	:	I ØDV		
&\$	7LP HRI RFXUWHQH		5		XLQV BW	< HDU	0 RQKV
&%			5		XLQV BW	' D	7LP H
&&			5		XLQV BW	0 LQXW	
&' & (&+ VMD SRZ HU RQKV 0 Q LP XP G-P DQG		5	:	I ØDV		
&)	7LP HRI RFXUWHQH		5		XLQV BW	< HDU	0 RQKV
'			5		XLQV BW	' D	7LP H
'			5		XLQV BW	0 LQXW	
' , ,	&+ \$ 3KDVH&XUWHQV RQKV 0 Q LP XP G-P DQG		5	\$	I ØDV		
'	7LP HRI RFXUWHQH		5		XLQV BW	< HDU	0 RQKV
'			5		XLQV BW	' D	7LP H
'			5		XLQV BW	0 LQXW	
' , ,	&+ %3KDVH&XUWHQV RQKV 0 Q LP XP G-P DQG		5	\$	I ØDV		
'	7LP HRI RFXUWHQH		5		XLQV BW	< HDU	0 RQKV
' \$			5		XLQV BW	' D	7LP H
' %			5		XLQV BW	0 LQXW	

' & '	&+ & 3KDVH&XUHQV0 RQKV 0 Q LP XP G-P DQG		5	\$	I ØDV		
' (7LP HRI RFXUHQFH		5		XLQV BW	< HDU	0 RQK
')			5		XLQV BW	' D	7LP H
(5		XLQV BW	0 LQXM	
((&+ \$ 3KDVHSRZHU0 RQKV 0 Q LP XP G-P DQG		5	:	I ØDV		
(7LP HRI RFXUHQFH		5		XLQV BW	< HDU	0 RQK
(5		XLQV BW	' D	7LP H
(5		XLQV BW	0 LQXM	
((&+ %3KDVHSRZHU0 RQKV 0 Q LP XP G-P DQG		5	:	I ØDV		
(7LP HRI RFXUHQFH		5		XLQV BW	< HDU	0 RQK
(5		XLQV BW	' D	7LP H
(\$			5		XLQV BW	0 LQXM	
(% (&	&+ & 3KDVHSRZHU0 RQKV 0 Q LP XP G-P DQG		5	:	I ØDV		
('	7LP HRI RFXUHQFH		5		XLQV BW	< HDU	0 RQK
((5		XLQV BW	' D	7LP H
(5		XLQV BW	0 LQXM	
))	&+ VMDOSRZHU0 RQKV 0 Q LP XP G-P DQG		5	:	I ØDV		
)	7LP HRI RFXUHQFH		5		XLQV BW	< HDU	0 RQK
)			5		XLQV BW	' D	7LP H
)			5		XLQV BW	0 LQXM	
))	&+ \$ 3KDVH&XUHQV0 RQKV 0 Q LP XP G-P DQG		5	\$	I ØDV		
)	7LP HRI RFXUHQFH		5		XLQV BW	< HDU	0 RQK
)			5		XLQV BW	' D	7LP H
)			5		XLQV BW	0 LQXM	
)\$) %	&+ %3KDVH&XUHQV0 RQKV 0 Q LP XP G-P DQG		5	\$	I ØDV		
)&	7LP HRI RFXUHQFH		5		XLQV BW	< HDU	0 RQK
)'			5		XLQV BW	' D	7LP H
)(5		XLQV BW	0 LQXM	
))	&+ & 3KDVH&XUHQV0 RQKV 0 Q LP XP G-P DQG		5	\$	I ØDV		
	7LP HRI RFXUHQFH		5		XLQV BW	< HDU	0 RQK
			5		XLQV BW	' D	7LP H
			5		XLQV BW	0 LQXM	
	&+ \$ 3KDVHSRZHU0 RQKV 0 Q LP XP G-P DQG		5	:	I ØDV		
	7LP HRI RFXUHQFH		5		XLQV BW	< HDU	0 RQK
			5		XLQV BW	' D	7LP H
			5		XLQV BW	0 LQXM	

\$	&+ %3KDVH SRZHUO RQKV 0 Q LP XP G-P DQG		5	:	I ORDW		
%	7LP HRI RFFXUHQFH		5		XLQV BW	< HDU	0 RQKV
&			5		XLQV BW	' D	7LP H
'			5		XLQV BW	0 LQXW	
()	&+ & 3KDVH SRZHUO RQKV 0 Q LP XP G-P DQG		5	:	I ORDW		
	7LP HRI RFFXUHQFH		5		XLQV BW	< HDU	0 RQKV
			5		XLQV BW	' D	7LP H
			5		XLQV BW	0 LQXW	
	&+ VADSRZHUO RQKV 0 Q LP XP G-P DQG		5	:	I ORDW		
	7LP HRI RFFXUHQFH		5		XLQV BW	< HDU	0 RQKV
			5		XLQV BW	' D	7LP H
			5		XLQV BW	0 LQXW	

: RUG DGGUHW	9DULDECH	: RUG VLJ H	5HDG ZULVH	8QLW	' DVH WSH	1RWHV
	&+ \$ SKDVH &XUHQW G-PDQG		5	\$	I ORDW	
\$ %	&+ % SKDVH &XUHQW G-PDQG		5	\$	I ORDW	
& '	&+ & SKDVH &XUHQW G-PDQG		5	\$	I ORDW	
()	&+ \$ SKDVH &XUHQW SRZHU G-PDQG		5	:	I ORDW	
	&+ % SKDVH &XUHQW SRZHU G-PDQG		5	:	I ORDW	
	&+ & SKDVH &XUHQW SRZHU G-PDQG		5	:	I ORDW	
	&+ &XUHQW SRZHU G-PDQG		5	:	I ORDW	
	&+ \$ SKDVH &XUHQW G-PDQG		5	\$	I ORDW	
	&+ % SKDVH &XUHQW G-PDQG		5	\$	I ORDW	
\$ %	&+ & SKDVH &XUHQW G-PDQG		5	\$	I ORDW	
& '	&+ \$ SKDVH &XUHQW SRZHU G-PDQG		5	:	I ORDW	
()	&+ % SKDVH &XUHQW SRZHU G-PDQG		5	:	I ORDW	
	&+ & SKDVH &XUHQW SRZHU G-PDQG		5	:	I ORDW	
	&+ &XUHQW SRZHU G-PDQG		5	:	I ORDW	
	&+ \$ SKDVH &XUHQW G-PDQG		5	\$	I ORDW	
	&+ % SKDVH &XUHQW G-PDQG		5	\$	I ORDW	
	&+ & SKDVH &XUHQW G-PDQG		5	\$	I ORDW	
\$ %	&+ \$ SKDVH &XUHQW SRZHU		5	:	I ORDW	

	G-PDQG					
& ')	&+ % SKDVH &XUHQV/SRZHU G-PDQG		5	:	1 CRDW	
()	&+ & SKDVH &XUHQV/SRZHU G-PDQG		5	:	1 CRDW	
	&+ &XUHQV/SRZHU G-PDQG		5	:	1 CRDW	
	&+ \$ SKDVH &XUHQV/G-PDQG		5	\$	1 CRDW	
	&+ % SKDVH &XUHQV/G-PDQG		5	\$	1 CRDW	
	&+ & SKDVH &XUHQV/G-PDQG		5	\$	1 CRDW	
	&+ \$ SKDVH &XUHQV/SRZHU G-PDQG		5	:	1 CRDW	
\$ %	&+ % SKDVH &XUHQV/SRZHU G-PDQG		5	:	1 CRDW	
& ')	&+ & SKDVH &XUHQV/SRZHU G-PDQG		5	:	1 CRDW	
()	&+ &XUHQV/SRZHU G-PDQG		5	:	1 CRDW	

7 RMDO XONSCHUDM/HQWV\ IRUORSV VDYH

: RUG DGGUHW	9 DUDEOH	Z RUG VJH	5 HDG ZUAM	8 QW	' DUWWSH	1 RHW
	&+ RMDO XONSCHUDM/HQWV\		5	N K) CRDW	
	&+ RMDO XONSCHUDM/HQWV\@		5	N K) CRDW	
	&+ RMDO XONSCHUDM/HQWV\>SHDN@		5	N K) CRDW	
	&+ RMDO XONSCHUDM/HQWV\>OH@		5	N K) CRDW	
	&+ RMDO XONSCHUDM/HQWV\>9 DQ @		5	N K) CRDW	
\$ %	&+ RMDO XONSCHUDM/HQWV\		5	N K) CRDW	
& ')	&+ RMDO XONSCHUDM/HQWV\@		5	N K) CRDW	
()	&+ RMDO XONSCHUDM/HQWV\>SHDN@		5	N K) CRDW	
	&+ RMDO XONSCHUDM/HQWV\>OH@		5	N K) CRDW	
	&+ RMDO XONSCHUDM/HQWV\>9 DQ @		5	N K) CRDW	
	&+ RMDO XONSCHUDM/HQWV\		5	N K) CRDW	
	&+ RMDO XONSCHUDM/HQWV\@		5	N K) CRDW	
	&+ RMDO XONSCHUDM/HQWV\>SHDN@		5	N K) CRDW	
\$ %	&+ RMDO XONSCHUDM/HQWV\>OH@		5	N K) CRDW	
& ')	&+ RMDO XONSCHUDM/HQWV\>9 DQ @		5	N K) CRDW	
()	&+ RMDO XONSCHUDM/HQWV\		5	N K) CRDW	
	&+ RMDO XONSCHUDM/HQWV\@		5	N K) CRDW	
	&+ RMDO XONSCHUDM/HQWV\>SHDN@		5	N K) CRDW	
	&+ RMDO XONSCHUDM/HQWV\>OH@		5	N K) CRDW	
	&+ RMDO XONSCHUDM/HQWV\>9 DQ @		5	N K) CRDW	

0 XONSCHUDM/HQWV\IRP - DQXDU VR' HFP EHU

5 HHUVR\KHDERYH\VEOH\IRU\KH\VRMDO XONSCHUDM/HQWV\RI\FLFXLW

: RUG DGGUHW	9 DUDEOH	: RUG DGGUHW	9 DUDEOH
-----------------	----------	-----------------	----------

	3DW ^W P RQK&+ VRMCO XQUSCHUDAM/HDFWIFLW		3DW ^G 0 RQKV &+ VRMCO XQUSCHUDAM/HDFWIFLW
\$ %	3DW ^W P RQK&+ VRMCO XQUSCHUDAM/HDFWIFLW/MS@		3DW ^G 0 RQKV &+ VRMCO XQUSCHUDAM/HDFWIFLW/MS@
& '	3DW ^W P RQK&+ VRMCO XQUSCHUDAM/HDFWIFLW>SHDN@		3DW ^G 0 RQKV &+ VRMCO XQUSCHUDAM/HDFWIFLW>SHDN@
()	3DW ^W P RQK&+ VRMCO XQUSCHUDAM/HDFWIFLW>OHCO@		3DW ^G 0 RQKV &+ VRMCO XQUSCHUDAM/HDFWIFLW>OHCO@
	3DW ^W P RQK&+ VRMCO XQUSCHUDAM/HDFWIFLW>9 DDI @		3DW ^G 0 RQKV &+ VRMCO XQUSCHUDAM/HDFWIFLW>9 DDI @
	3DW ^W P RQK&+ VRMCO XQUSCHUDAM/HDFWIFLW	\$ %	3DW ^G 0 RQKV &+ VRMCO XQUSCHUDAM/HDFWIFLW
	3DW ^W P RQK&+ VRMCO XQUSCHUDAM/HDFWIFLW/MS@	& '	3DW ^G 0 RQKV &+ VRMCO XQUSCHUDAM/HDFWIFLW/MS@
	3DW ^W P RQK&+ VRMCO XQUSCHUDAM/HDFWIFLW>SHDN@	()	3DW ^G 0 RQKV &+ VRMCO XQUSCHUDAM/HDFWIFLW>SHDN@
	3DW ^W P RQK&+ VRMCO XQUSCHUDAM/HDFWIFLW>OHCO@		3DW ^G 0 RQKV &+ VRMCO XQUSCHUDAM/HDFWIFLW>OHCO@
\$ %	3DW ^W P RQK&+ VRMCO XQUSCHUDAM/HDFWIFLW>9 DDI @		3DW ^G 0 RQKV &+ VRMCO XQUSCHUDAM/HDFWIFLW>9 DDI @
& '	3DW ^W P RQK&+ VRMCO XQUSCHUDAM/HDFWIFLW		3DW ^G 0 RQKV &+ VRMCO XQUSCHUDAM/HDFWIFLW
()	3DW ^W P RQK&+ VRMCO XQUSCHUDAM/HDFWIFLW/MS@		3DW ^G 0 RQKV &+ VRMCO XQUSCHUDAM/HDFWIFLW/MS@
	3DW ^W P RQK&+ VRMCO XQUSCHUDAM/HDFWIFLW>SHDN@		3DW ^G 0 RQKV &+ VRMCO XQUSCHUDAM/HDFWIFLW>SHDN@
	3DW ^W P RQK&+ VRMCO XQUSCHUDAM/HDFWIFLW>OHCO@	\$ %	3DW ^G 0 RQKV &+ VRMCO XQUSCHUDAM/HDFWIFLW>OHCO@
	3DW ^W P RQK&+ VRMCO XQUSCHUDAM/HDFWIFLW>9 DDI @	& '	3DW ^G 0 RQKV &+ VRMCO XQUSCHUDAM/HDFWIFLW>9 DDI @
	3DW ^W P RQK&+ VRMCO XQUSCHUDAM/HDFWIFLW	()	3DW ^G 0 RQKV &+ VRMCO XQUSCHUDAM/HDFWIFLW
	3DW ^W P RQK&+ VRMCO XQUSCHUDAM/HDFWIFLW/MS@		3DW ^G 0 RQKV &+ VRMCO XQUSCHUDAM/HDFWIFLW/MS@
\$ %	3DW ^W P RQK&+ VRMCO XQUSCHUDAM/HDFWIFLW>SHDN@		3DW ^G 0 RQKV &+ VRMCO XQUSCHUDAM/HDFWIFLW>SHDN@
& '	3DW ^W P RQK&+ VRMCO XQUSCHUDAM/HDFWIFLW>OHCO@		3DW ^G 0 RQKV &+ VRMCO XQUSCHUDAM/HDFWIFLW>OHCO@
()	3DW ^W P RQK&+ VRMCO XQUSCHUDAM/HDFWIFLW>9 DDI @		3DW ^G 0 RQKV &+ VRMCO XQUSCHUDAM/HDFWIFLW>9 DDI @
	3DW ^G 0 RQKV &+ VRMCO XQUSCHUDAM/HDFWIFLW	\$ \$	3DW ^W 0 RQKV &+ VRMCO XQUSCHUDAM/HDFWIFLW
\$ %	3DW ^G 0 RQKV &+ VRMCO XQUSCHUDAM/HDFWIFLW/MS@	\$ \$	3DW ^W 0 RQKV &+ VRMCO XQUSCHUDAM/HDFWIFLW/MS@
& '	3DW ^G 0 RQKV &+ VRMCO XQUSCHUDAM	\$ \$	3DW ^W 0 RQKV &+ VRMCO XQUSCHUDAM

	HDFWIFLW>SHDN@			HDFWIFLW>SHDN@
()	3DW ^{LG} 0 RQKV&+ VMDCO XQVSGH UDAM/ HDFWIFLW>QYH@	\$ \$		3DW ^{WK} 0 RQKV &+ VMDCO XQVSGH UDAM/ HDFWIFLW>QYH@
	3DW ^{LG} 0 RQKV&+ VMDCO XQVSGH UDAM/ HDFWIFLW>9 DQI @	\$ \$		3DW ^{WK} 0 RQKV &+ VMDCO XQVSGH UDAM/ HDFWIFLW>9 DQI @
	3DW ^{LG} 0 RQKV&+ VMDCO XQVSGH UDAM/ HDFWIFLW	\$ \$ \$ %		3DW ^{WK} 0 RQKV &+ VMDCO XQVSGH UDAM/ HDFWIFLW
	3DW ^{LG} 0 RQKV&+ VMDCO XQVSGH UDAM/ HDFWIFLW>MS@	\$ & \$ '		3DW ^{WK} 0 RQKV &+ VMDCO XQVSGH UDAM/ HDFWIFLW>MS@
	3DW ^{LG} 0 RQKV&+ VMDCO XQVSGH UDAM/ HDFWIFLW>SHDN@	\$ (\$)		3DW ^{WK} 0 RQKV &+ VMDCO XQVSGH UDAM/ HDFWIFLW>SHDN@
	3DW ^{LG} 0 RQKV&+ VMDCO XQVSGH UDAM/ HDFWIFLW>QYH@	% %		3DW ^{WK} 0 RQKV &+ VMDCO XQVSGH UDAM/ HDFWIFLW>QYH@
\$ %	3DW ^{LG} 0 RQKV&+ VMDCO XQVSGH UDAM/ HDFWIFLW>9 DQI @	% %		3DW ^{WK} 0 RQKV &+ VMDCO XQVSGH UDAM/ HDFWIFLW>9 DQI @
& '	3DW ^{LG} 0 RQKV&+ VMDCO XQVSGH UDAM/ HDFWIFLW	% %		3DW ^{WK} 0 RQKV &+ VMDCO XQVSGH UDAM/ HDFWIFLW
()	3DW ^{LG} 0 RQKV&+ VMDCO XQVSGH UDAM/ HDFWIFLW>MS@	% %		3DW ^{WK} 0 RQKV &+ VMDCO XQVSGH UDAM/ HDFWIFLW>MS@
	3DW ^{LG} 0 RQKV&+ VMDCO XQVSGH UDAM/ HDFWIFLW>SHDN@	% %		3DW ^{WK} 0 RQKV &+ VMDCO XQVSGH UDAM/ HDFWIFLW>SHDN@
	3DW ^{LG} 0 RQKV&+ VMDCO XQVSGH UDAM/ HDFWIFLW>QYH@	%\$ %%		3DW ^{WK} 0 RQKV &+ VMDCO XQVSGH UDAM/ HDFWIFLW>QYH@
	3DW ^{LG} 0 RQKV&+ VMDCO XQVSGH UDAM/ HDFWIFLW>9 DQI @	%& %		3DW ^{WK} 0 RQKV &+ VMDCO XQVSGH UDAM/ HDFWIFLW>9 DQI @
	3DW ^{LG} 0 RQKV&+ VMDCO XQVSGH UDAM/ HDFWIFLW	% (%)		3DW ^{WK} 0 RQKV &+ VMDCO XQVSGH UDAM/ HDFWIFLW
	3DW ^{LG} 0 RQKV&+ VMDCO XQVSGH UDAM/ HDFWIFLW>MS@	& &		3DW ^{WK} 0 RQKV &+ VMDCO XQVSGH UDAM/ HDFWIFLW>MS@
\$ %	3DW ^{LG} 0 RQKV&+ VMDCO XQVSGH UDAM/ HDFWIFLW>SHDN@	& &		3DW ^{WK} 0 RQKV &+ VMDCO XQVSGH UDAM/ HDFWIFLW>SHDN@
& '	3DW ^{LG} 0 RQKV&+ VMDCO XQVSGH UDAM/ HDFWIFLW>QYH@	& &		3DW ^{WK} 0 RQKV &+ VMDCO XQVSGH UDAM/ HDFWIFLW>QYH@
()	3DW ^{LG} 0 RQKV&+ VMDCO XQVSGH UDAM/ HDFWIFLW>9 DQI @	& &		3DW ^{WK} 0 RQKV &+ VMDCO XQVSGH UDAM/ HDFWIFLW>9 DQI @
& &	3DW ^{WK} 0 RQKV&+ VMDCO XQVSGH UDAM/ HDFWIFLW))		3DW ^{WK} 0 RQKV &+ VMDCO XQVSGH UDAM/ HDFWIFLW
&\$ &%	3DW ^{WK} 0 RQKV&+ VMDCO XQVSGH UDAM/ HDFWIFLW>MS@))		3DW ^{WK} 0 RQKV &+ VMDCO XQVSGH UDAM/ HDFWIFLW>MS@
&& &'	3DW ^{WK} 0 RQKV&+ VMDCO XQVSGH UDAM/ HDFWIFLW>SHDN@))		3DW ^{WK} 0 RQKV &+ VMDCO XQVSGH UDAM/ HDFWIFLW>SHDN@
&(&)	3DW ^{WK} 0 RQKV&+ VMDCO XQVSGH UDAM/ HDFWIFLW>QYH@))		3DW ^{WK} 0 RQKV &+ VMDCO XQVSGH UDAM/ HDFWIFLW>QYH@
' '	3DW ^{WK} 0 RQKV&+ VMDCO XQVSGH UDAM/ HDFWIFLW>9 DQI @))		3DW ^{WK} 0 RQKV &+ VMDCO XQVSGH UDAM/ HDFWIFLW>9 DQI @

' '	3DW ^{WK} 0 RQKV&+ VRMCO XQUSCHUDAM/ HDFWIFLW)\$)%	3DW ^{WK} 0 RQKV&+ VRMCO XQUSCHUDAM/ HDFWIFLW
' '	3DW ^{WK} 0 RQKV&+ VRMCO XQUSCHUDAM/ HDFWIFLW>MS@)&)'	3DW ^{WK} 0 RQKV&+ VRMCO XQUSCHUDAM/ HDFWIFLW>MS@
' '	3DW ^{WK} 0 RQKV&+ VRMCO XQUSCHUDAM/ HDFWIFLW>SHDN@)())	3DW ^{WK} 0 RQKV&+ VRMCO XQUSCHUDAM/ HDFWIFLW>SHDN@
' '	3DW ^{WK} 0 RQKV&+ VRMCO XQUSCHUDAM/ HDFWIFLW>OHCO@		3DW ^{WK} 0 RQKV&+ VRMCO XQUSCHUDAM/ HDFWIFLW>OHCO@
' \$ ' %	3DW ^{WK} 0 RQKV&+ VRMCO XQUSCHUDAM/ HDFWIFLW>9 DDI @		3DW ^{WK} 0 RQKV&+ VRMCO XQUSCHUDAM/ HDFWIFLW>9 DDI @
' & ' '	3DW ^{WK} 0 RQKV&+ VRMCO XQUSCHUDAM/ HDFWIFLW		3DW ^{WK} 0 RQKV&+ VRMCO XQUSCHUDAM/ HDFWIFLW
' (')	3DW ^{WK} 0 RQKV&+ VRMCO XQUSCHUDAM/ HDFWIFLW>MS@		3DW ^{WK} 0 RQKV&+ VRMCO XQUSCHUDAM/ HDFWIFLW>MS@
((3DW ^{WK} 0 RQKV&+ VRMCO XQUSCHUDAM/ HDFWIFLW>SHDN@		3DW ^{WK} 0 RQKV&+ VRMCO XQUSCHUDAM/ HDFWIFLW>SHDN@
((3DW ^{WK} 0 RQKV&+ VRMCO XQUSCHUDAM/ HDFWIFLW>OHCO@	\$ %	3DW ^{WK} 0 RQKV&+ VRMCO XQUSCHUDAM/ HDFWIFLW>OHCO@
((3DW ^{WK} 0 RQKV&+ VRMCO XQUSCHUDAM/ HDFWIFLW>9 DDI @	& ' '	3DW ^{WK} 0 RQKV&+ VRMCO XQUSCHUDAM/ HDFWIFLW>9 DDI @
((3DW ^{WK} 0 RQKV&+ VRMCO XQUSCHUDAM/ HDFWIFLW	()	3DW ^{WK} 0 RQKV&+ VRMCO XQUSCHUDAM/ HDFWIFLW
((3DW ^{WK} 0 RQKV&+ VRMCO XQUSCHUDAM/ HDFWIFLW>MS@		3DW ^{WK} 0 RQKV&+ VRMCO XQUSCHUDAM/ HDFWIFLW>MS@
(\$ (%	3DW ^{WK} 0 RQKV&+ VRMCO XQUSCHUDAM/ HDFWIFLW>SHDN@		3DW ^{WK} 0 RQKV&+ VRMCO XQUSCHUDAM/ HDFWIFLW>SHDN@
(& (' '	3DW ^{WK} 0 RQKV&+ VRMCO XQUSCHUDAM/ HDFWIFLW>OHCO@		3DW ^{WK} 0 RQKV&+ VRMCO XQUSCHUDAM/ HDFWIFLW>OHCO@
((()	3DW ^{WK} 0 RQKV&+ VRMCO XQUSCHUDAM/ HDFWIFLW>9 DDI @		3DW ^{WK} 0 RQKV&+ VRMCO XQUSCHUDAM/ HDFWIFLW>9 DDI @
	3DW ^{WK} 0 RQKV&+ VRMCO XQUSCHUDAM/ HDFWIFLW		3DW ^{WK} 0 RQKV&+ VRMCO XQUSCHUDAM/ HDFWIFLW
\$ %	3DW ^{WK} 0 RQKV&+ VRMCO XQUSCHUDAM/ HDFWIFLW>MS@		3DW ^{WK} 0 RQKV&+ VRMCO XQUSCHUDAM/ HDFWIFLW>MS@
& ' '	3DW ^{WK} 0 RQKV&+ VRMCO XQUSCHUDAM/ HDFWIFLW>SHDN@		3DW ^{WK} 0 RQKV&+ VRMCO XQUSCHUDAM/ HDFWIFLW>SHDN@
()	3DW ^{WK} 0 RQKV&+ VRMCO XQUSCHUDAM/ HDFWIFLW>OHCO@		3DW ^{WK} 0 RQKV&+ VRMCO XQUSCHUDAM/ HDFWIFLW>OHCO@
	3DW ^{WK} 0 RQKV&+ VRMCO XQUSCHUDAM/ HDFWIFLW>9 DDI @		3DW ^{WK} 0 RQKV&+ VRMCO XQUSCHUDAM/ HDFWIFLW>9 DDI @
	3DW ^{WK} 0 RQKV&+ VRMCO XQUSCHUDAM/ HDFWIFLW	\$ %	3DW ^{WK} 0 RQKV&+ VRMCO XQUSCHUDAM/ HDFWIFLW
	3DW ^{WK} 0 RQKV&+ VRMCO XQUSCHUDAM/ HDFWIFLW>MS@	& ' '	3DW ^{WK} 0 RQKV&+ VRMCO XQUSCHUDAM/ HDFWIFLW>MS@
	3DW ^{WK} 0 RQKV&+ VRMCO XQUSCHUDAM/ HDFWIFLW	()	3DW ^{WK} 0 RQKV&+ VRMCO XQUSCHUDAM/ HDFWIFLW

	HDFWIFLW>SHDN@		HDFWIFLW>SHDN@
	3DW ^{WK} 0 RQKV&+ VRMCO XQUSCHUDAM/ HDFWIFLW>OHHC@		3DW ^{WK} 0 RQKV&+ VRMCO XQUSCHUDAM/ HDFWIFLW>OHHC@
\$ %	3DW ^{WK} 0 RQKV&+ VRMCO XQUSCHUDAM/ HDFWIFLW>9 DDXI @		3DW ^{WK} 0 RQKV&+ VRMCO XQUSCHUDAM/ HDFWIFLW>9 DDXI @
& '	3DW ^{WK} 0 RQKV&+ VRMCO XQUSCHUDAM/ HDFWIFLW		3DW ^{WK} 0 RQKV&+ VRMCO XQUSCHUDAM/ HDFWIFLW
()	3DW ^{WK} 0 RQKV&+ VRMCO XQUSCHUDAM/ HDFWIFLW>MS@		3DW ^{WK} 0 RQKV&+ VRMCO XQUSCHUDAM/ HDFWIFLW>MS@
	3DW ^{WK} 0 RQKV&+ VRMCO XQUSCHUDAM/ HDFWIFLW>SHDN@		3DW ^{WK} 0 RQKV&+ VRMCO XQUSCHUDAM/ HDFWIFLW>SHDN@
	3DW ^{WK} 0 RQKV&+ VRMCO XQUSCHUDAM/ HDFWIFLW>OHHC@	\$ %	3DW ^{WK} 0 RQKV&+ VRMCO XQUSCHUDAM/ HDFWIFLW>OHHC@
	3DW ^{WK} 0 RQKV&+ VRMCO XQUSCHUDAM/ HDFWIFLW>9 DDXI @	& '	3DW ^{WK} 0 RQKV&+ VRMCO XQUSCHUDAM/ HDFWIFLW>9 DDXI @
	3DW ^{WK} 0 RQKV&+ VRMCO XQUSCHUDAM/ HDFWIFLW	()	3DW ^{WK} 0 RQKV&+ VRMCO XQUSCHUDAM/ HDFWIFLW
	3DW ^{WK} 0 RQKV&+ VRMCO XQUSCHUDAM/ HDFWIFLW>MS@		3DW ^{WK} 0 RQKV&+ VRMCO XQUSCHUDAM/ HDFWIFLW>MS@
\$ %	3DW ^{WK} 0 RQKV&+ VRMCO XQUSCHUDAM/ HDFWIFLW>SHDN@		3DW ^{WK} 0 RQKV&+ VRMCO XQUSCHUDAM/ HDFWIFLW>SHDN@
& '	3DW ^{WK} 0 RQKV&+ VRMCO XQUSCHUDAM/ HDFWIFLW>OHHC@		3DW ^{WK} 0 RQKV&+ VRMCO XQUSCHUDAM/ HDFWIFLW>OHHC@
()	3DW ^{WK} 0 RQKV&+ VRMCO XQUSCHUDAM/ HDFWIFLW>9 DDXI @		3DW ^{WK} 0 RQKV&+ VRMCO XQUSCHUDAM/ HDFWIFLW>9 DDXI @
	3DW ^{WK} 0 RQKV&+ VRMCO XQUSCHUDAM/ HDFWIFLW		3DW ^{WK} 0 RQKV&+ VRMCO XQUSCHUDAM/ HDFWIFLW
\$ %	3DW ^{WK} 0 RQKV&+ VRMCO XQUSCHUDAM/ HDFWIFLW>MS@		3DW ^{WK} 0 RQKV&+ VRMCO XQUSCHUDAM/ HDFWIFLW>MS@
& '	3DW ^{WK} 0 RQKV&+ VRMCO XQUSCHUDAM/ HDFWIFLW>SHDN@		3DW ^{WK} 0 RQKV&+ VRMCO XQUSCHUDAM/ HDFWIFLW>SHDN@
()	3DW ^{WK} 0 RQKV&+ VRMCO XQUSCHUDAM/ HDFWIFLW>OHHC@		3DW ^{WK} 0 RQKV&+ VRMCO XQUSCHUDAM/ HDFWIFLW>OHHC@
	3DW ^{WK} 0 RQKV&+ VRMCO XQUSCHUDAM/ HDFWIFLW>9 DDXI @		3DW ^{WK} 0 RQKV&+ VRMCO XQUSCHUDAM/ HDFWIFLW>9 DDXI @
	3DW ^{WK} 0 RQKV&+ VRMCO XQUSCHUDAM/ HDFWIFLW	\$ %	3DW ^{WK} 0 RQKV&+ VRMCO XQUSCHUDAM/ HDFWIFLW
	3DW ^{WK} 0 RQKV&+ VRMCO XQUSCHUDAM/ HDFWIFLW>MS@	& '	3DW ^{WK} 0 RQKV&+ VRMCO XQUSCHUDAM/ HDFWIFLW>MS@
	3DW ^{WK} 0 RQKV&+ VRMCO XQUSCHUDAM/ HDFWIFLW>SHDN@	()	3DW ^{WK} 0 RQKV&+ VRMCO XQUSCHUDAM/ HDFWIFLW>SHDN@
	3DW ^{WK} 0 RQKV&+ VRMCO XQUSCHUDAM/ HDFWIFLW>OHHC@	\$ \$	3DW ^{WK} 0 RQKV&+ VRMCO XQUSCHUDAM/ HDFWIFLW>OHHC@
\$ %	3DW ^{WK} 0 RQKV&+ VRMCO XQUSCHUDAM/ HDFWIFLW>9 DDXI @	\$ \$	3DW ^{WK} 0 RQKV&+ VRMCO XQUSCHUDAM/ HDFWIFLW>9 DDXI @

& ')	3DW ^W 0 RQKV&+ VRMCO XOUSCHUDAM/ HDFWIFLW	\$ \$	3DW ^W 0 RQKV&+ VRMCO XOUSCHUDAM/ HDFWIFLW
()	3DW ^W 0 RQKV&+ VRMCO XOUSCHUDAM/ HDFWIFLW>MS@	\$ \$	3DW ^W 0 RQKV&+ VRMCO XOUSCHUDAM/ HDFWIFLW>MS@
	3DW ^W 0 RQKV&+ VRMCO XOUSCHUDAM/ HDFWIFLW>SHDN@	\$ \$	3DW ^W 0 RQKV&+ VRMCO XOUSCHUDAM/ HDFWIFLW>SHDN@
	3DW ^W 0 RQKV&+ VRMCO XOUSCHUDAM/ HDFWIFLW>OH@	\$ \$ %	3DW ^W 0 RQKV&+ VRMCO XOUSCHUDAM/ HDFWIFLW>OH@
	3DW ^W 0 RQKV&+ VRMCO XOUSCHUDAM/ HDFWIFLW>9 DDI @	\$ & \$'	3DW ^W 0 RQKV&+ VRMCO XOUSCHUDAM/ HDFWIFLW>9 DDI @
	3DW ^W 0 RQKV&+ VRMCO XOUSCHUDAM/ HDFWIFLW	\$(\$)	3DW ^W 0 RQKV&+ VRMCO XOUSCHUDAM/ HDFWIFLW
	3DW ^W 0 RQKV&+ VRMCO XOUSCHUDAM/ HDFWIFLW>MS@	% %	3DW ^W 0 RQKV&+ VRMCO XOUSCHUDAM/ HDFWIFLW>MS@
\$ %	3DW ^W 0 RQKV&+ VRMCO XOUSCHUDAM/ HDFWIFLW>SHDN@	% %	3DW ^W 0 RQKV&+ VRMCO XOUSCHUDAM/ HDFWIFLW>SHDN@
& ')	3DW ^W 0 RQKV&+ VRMCO XOUSCHUDAM/ HDFWIFLW>OH@	% %	3DW ^W 0 RQKV&+ VRMCO XOUSCHUDAM/ HDFWIFLW>OH@
()	3DW ^W 0 RQKV&+ VRMCO XOUSCHUDAM/ HDFWIFLW>9 DDI @	% %	3DW ^W 0 RQKV&+ VRMCO XOUSCHUDAM/ HDFWIFLW>9 DDI @
% %	3DW ^W 0 RQKV&+ VRMCO XOUSCHUDAM/ HDFWIFLW	((3DW ^W 0 RQKV&+ VRMCO XOUSCHUDAM/ HDFWIFLW
\$\$ %%	3DW ^W 0 RQKV&+ VRMCO XOUSCHUDAM/ HDFWIFLW>MS@	((3DW ^W 0 RQKV&+ VRMCO XOUSCHUDAM/ HDFWIFLW>MS@
%& %	3DW ^W 0 RQKV&+ VRMCO XOUSCHUDAM/ HDFWIFLW>SHDN@	((3DW ^W 0 RQKV&+ VRMCO XOUSCHUDAM/ HDFWIFLW>SHDN@
%(%)	3DW ^W 0 RQKV&+ VRMCO XOUSCHUDAM/ HDFWIFLW>OH@	((3DW ^W 0 RQKV&+ VRMCO XOUSCHUDAM/ HDFWIFLW>OH@
& &	3DW ^W 0 RQKV&+ VRMCO XOUSCHUDAM/ HDFWIFLW>9 DDI @	((3DW ^W 0 RQKV&+ VRMCO XOUSCHUDAM/ HDFWIFLW>9 DDI @
& &	3DW ^W 0 RQKV&+ VRMCO XOUSCHUDAM/ HDFWIFLW	(\$ (%	3DW ^W 0 RQKV&+ VRMCO XOUSCHUDAM/ HDFWIFLW
& &	3DW ^W 0 RQKV&+ VRMCO XOUSCHUDAM/ HDFWIFLW>MS@	(& ('	3DW ^W 0 RQKV&+ VRMCO XOUSCHUDAM/ HDFWIFLW>MS@
& &	3DW ^W 0 RQKV&+ VRMCO XOUSCHUDAM/ HDFWIFLW>SHDN@	((()	3DW ^W 0 RQKV&+ VRMCO XOUSCHUDAM/ HDFWIFLW>SHDN@
& &	3DW ^W 0 RQKV&+ VRMCO XOUSCHUDAM/ HDFWIFLW>OH@))	3DW ^W 0 RQKV&+ VRMCO XOUSCHUDAM/ HDFWIFLW>OH@
&\$ &%	3DW ^W 0 RQKV&+ VRMCO XOUSCHUDAM/ HDFWIFLW>9 DDI @))	3DW ^W 0 RQKV&+ VRMCO XOUSCHUDAM/ HDFWIFLW>9 DDI @
&& &'	3DW ^W 0 RQKV&+ VRMCO XOUSCHUDAM/ HDFWIFLW))	3DW ^W 0 RQKV&+ VRMCO XOUSCHUDAM/ HDFWIFLW
&(&)	3DW ^W 0 RQKV&+ VRMCO XOUSCHUDAM/ HDFWIFLW>MS@))	3DW ^W 0 RQKV&+ VRMCO XOUSCHUDAM/ HDFWIFLW>MS@
' '	3DW ^W 0 RQKV&+ VRMCO XOUSCHUDAM/))	3DW ^W 0 RQKV&+ VRMCO XOUSCHUDAM/

	HDFWFLW>SHDN@		HDFWFLW>SHDN@
' '	3DW ^W 0 RQKV&+ VRMCO XQNSCHUDAM/ HDFWFLW>OH-C@)\$)%	3DW ^W 0 RQKV&+ VRMCO XQNSCHUDAM/ HDFWFLW>OH-C@
' '	3DW ^W 0 RQKV&+ VRMCO XQNSCHUDAM/ HDFWFLW>9 D@H @)&)'	3DW ^W 0 RQKV&+ VRMCO XQNSCHUDAM/ HDFWFLW>9 D@H @
' '	3DW ^W 0 RQKV&+ VRMCO XQNSCHUDAM/ HDFWFLW)()	3DW ^W 0 RQKV&+ VRMCO XQNSCHUDAM/ HDFWFLW
' '	3DW ^W 0 RQKV&+ VRMCO XQNSCHUDAM/ HDFWFLW>MS@		3DW ^W 0 RQKV&+ VRMCO XQNSCHUDAM/ HDFWFLW>MS@
' \$ ' %	3DW ^W 0 RQKV&+ VRMCO XQNSCHUDAM/ HDFWFLW>SHDN@		3DW ^W 0 RQKV&+ VRMCO XQNSCHUDAM/ HDFWFLW>SHDN@
' & ''	3DW ^W 0 RQKV&+ VRMCO XQNSCHUDAM/ HDFWFLW>OH-C@		3DW ^W 0 RQKV&+ VRMCO XQNSCHUDAM/ HDFWFLW>OH-C@
' (')	3DW ^W 0 RQKV&+ VRMCO XQNSCHUDAM/ HDFWFLW>9 D@H @		3DW ^W 0 RQKV&+ VRMCO XQNSCHUDAM/ HDFWFLW>9 D@H @

&+ H WHP XP DQG 7 LP HRI RFFXUHQFH

: RUG DGGUHW	9 DUDE@H	Z RUG VJ H	5 HDG ZUAM	8 QV	' D@H WSH	1 RHW	
	0 Q LP XP \$ 3KDVH9 R@W HRI WHP RQK		5	9	I@DW		
	0 Q LP XP \$ 3KDVH9 R@W HRI WHP RQK DQG 7 LP HRI RFFXUHQFH		5		XLQV BA	< HDJ	0 RQKV
			5		XLQV BA	' D	7 LP H
			5		XLQV BA	0 LQXW	VFRQG
	0 Q LP XP %3KDVH9 R@W HRI WHP RQK DQG 7 LP HRI RFFXUHQFH		5				
\$ (0 Q LP XP & 3KDVH9 R@W HRI WHP RQK DQG 7 LP HRI RFFXUHQFH		5				
)	0 Q LP XP \$ % / LQH9 R@W HRI WHP RQK DQG 7 LP HRI RFFXUHQFH		5				
	0 Q LP XP %& / LQH9 R@W HRI WHP RQK DQG 7 LP HRI RFFXUHQFH		5				
,	0 Q LP XP &\$ / LQH9 R@W HRI WHP RQK DQG 7 LP HRI RFFXUHQFH		5				
(0 LQP XP \$ 3KDVH9 R@W HRI WHP RQK DQG 7 LP HRI RFFXUHQFH		5				
	0 LQP XP %3KDVH9 R@W HRI WHP RQK DQG 7 LP HRI RFFXUHQFH		5				
&	0 LQP XP & 3KDVH9 R@W HRI WHP RQK DQG 7 LP HRI RFFXUHQFH		5				
,	0 LQP XP \$ % / LQH9 R@W HRI WHP RQK DQG 7 LP HRI RFFXUHQFH		5				
	0 LQP XP %& / LQH9 R@W HRI WHP RQK DQG 7 LP HRI RFFXUHQFH		5				
%	0 LQP XP &\$ / LQH9 R@W HRI WHP RQK DQG 7 LP HRI RFFXUHQFH		5				
% %	0 Q LP XP &+ \$ 3KDVH&XUHQH WHP RQK		5	\$	I@DW		

%	0 Q LP XP &+ \$ &XUHQMI VHP RQM DQG	5		XLQV BA	< HDJ	0 RQMV
%	7LP HRI RFFXUHQFH	5		XLQV BA	' D	7LP H
%		5		XLQV BA	0 LQXW	VFRQG
% %	0 Q LP XP &+ %3KDV&XUHQMI VHP RQM	5				
% &	0 Q LP XP &+ & 3KDV&XUHQMI VHP RQM	5				
& &	0 Q LP XP &+ =HUR VHTXHQFH&XUHQMI VHP RQM	5				
& &&	0 Q LP XP &+ \$ 3KDV\$ FMYHSRZ HUI VHP RQM	5				
& ' ,	0 Q LP XP &+ %3KDV\$ FMYHSRZ HUI VHP RQM	5				
, ,	0 Q LP XP &+ & 3KDV\$ FMYHSRZ HUI VHP RQM	5				
' ' %	0 Q LP XP &+ \$ FMYHSRZ HUI VHP RQM	5				
' & (0 Q LP XP &+ \$ 3KDV5 HFMVHSRZ HUI VHP RQM	5				
((0 Q LP XP &+ %3KDV5 HFMVHSRZ HUI VHP RQM	5				
((\$	0 Q LP XP &+ & 3KDV5 HFMVHSRZ HUI VHP RQM	5				
(% (0 Q LP XP &+ 5 HFMVHSRZ HUI VHP RQM	5				
))	0 Q LP XP &+ \$ 3KDVHSSDUHQ/SRZ HUI VHP RQM	5				
))	0 Q LP XP &+ %3KDVHSSDUHQ/SRZ HUI VHP RQM	5				
)\$)(0 Q LP XP &+ & 3KDVHSSDUHQ/SRZ HUI VHP RQM	5				
)) \$	0 Q LP XP &+ DSSDUHQ/SRZ HUI VHP RQM	5				
\$ \$	0 Q LP XP &+ \$ 3KDVSRZ HUI DFMURI VHP RQM	5				
\$ \$ '	0 Q LP XP &+ %3KDVSRZ HUI DFMURI VHP RQM	5				
\$ (\$	0 Q LP XP &+ & 3KDVSRZ HUI DFMURI VHP RQM	5				
\$ \$	0 Q LP XP &+ SRZ HUI DFMURI VHP RQM	5				
\$ \$ &	0 Q LP XP &+ / RQGI DFMURI VHP RQM	5				
\$ \$	0 LQP XP &+ \$ 3KDV&XUHQMI VHP RQM	5	\$	IGDV		
\$	0 LQP XP &+ \$ &XUHQMI VHP RQM DQG	5		XLQV BA	< HDJ	0 RQMV
\$	7LP HRI RFFXUHQFH	5		XLQV BA	' D	7LP H
\$ \$		5		XLQV BA	0 LQXW	VFRQG
\$ % \$)	0 LQP XP &+ %3KDV&XUHQMI VHP RQM	5				
\$ \$	0 LQP XP &+ & 3KDV&XUHQMI VHP RQM	5				
\$ \$	0 LQP XP &+ =HUR VHTXHQFH&XUHQMI VHP RQM	5				
\$ \$ \$ (0 LQP XP &+ \$ 3KDV\$ FMYHSRZ HUI VHP RQM	5				

	PROK					
\$) \$\$	0 LQP XP &+ %3KDVH\$ FVYHSRZ HUI VNH PROK	5				
\$\$ \$\$	0 LQP XP &+ & 3KDVH\$ FVYHSRZ HUI VNH PROK	5				
\$\$ \$\$'	0 LQP XP &+ \$ FVYHSRZ HUI VNH PROK	5				
\$\$ (\$%	0 LQP XP &+ \$ 3KDVH5 H FVYHSRZ HUI VNH PROK	5				
\$% \$%	7KLV0 RQMV&+ %3KDVH5 H FVYHSRZ HU 0 LQP XP YDXXH	5				
\$% \$%&	0 LQP XP &+ & 3KDVH5 H FVYHSRZ HUI VNH PROK	5				
\$% \$&	0 LQP XP &+ 5 H FVYHSRZ HUI VNH PROK	5				
\$& \$&	0 LQP XP &+ \$ 3KDVH DSSDUHQ/SRZ HUI VNH PROK	5				
\$& \$&%	0 LQP XP &+ %3KDVH DSSDUHQ/SRZ HUI VNH PROK	5				
\$&& \$'	0 LQP XP &+ & 3KDVH DSSDUHQ/SRZ HUI VNH PROK	5				
\$' \$'	0 LQP XP &+ DSSDUHQ/SRZ HUI VNH PROK	5				
\$' \$' \$	0 LQP XP &+ \$ 3KDVH SRZ HUI D FVURI VNH PROK	5				
\$' %\$')	0 LQP XP &+ %3KDVH SRZ HUI D FVURI VNH PROK	5				
\$(\$(0 LQP XP &+ & 3KDVH SRZ HUI D FVURI VNH PROK	5				
\$(\$(0 LQP XP &+ SRZ HUI D FVURI VNH PROK	5				
\$(\$\$(0 LQP XP &+ / R DGI D FVURI VNH PROK	5				
\$ %	0 Q LP XP \$ 3KDVH9 RDUHRI / D V F R Q M	5	9	I ØDV		
&	0 Q LP XP \$ 3KDVH9 RDUHRI / D V F R Q M	5		XIQV BA	< HDJ	0 RQMV
,	0 Q LP XP \$ 3KDVH9 RDUHRI / D V F R Q M	5		XIQV BA	' D	7LP H
(DQG7LP HRI RFXUHQFH	5		XIQV BA	0 LQXW	VFRGG
)	0 Q LP XP %3KDVH9 RDUHRI / D V F R Q M	5				
	0 Q LP XP & 3KDVH9 RDUHRI / D V F R Q M	5				
'	0 Q LP XP \$ % / LQH9 RDUHRI / D V F R Q M	5				
(0 Q LP XP %& / LQH9 RDUHRI / D V F R Q M	5				
	0 Q LP XP &\$ / LQH9 RDUHRI / D V F R Q M	5				
&	0 LQP XP \$ 3KDVH9 RDUHRI / D V F R Q M	5				
'	0 LQP XP %3KDVH9 RDUHRI / D V F R Q M	5				
	0 LQP XP & 3KDVH9 RDUHRI / D V F R Q M	5				
%	0 LQP XP \$ % / LQH9 RDUHRI / D V F R Q M	5				
&	0 LQP XP %& / LQH9 RDUHRI / D V F R Q M	5				
	0 LQP XP &\$ / LQH9 RDUHRI / D V F R Q M	5				
\$' \$ (0 Q LP XP &+ \$ 3KDVH&XUHQRI / D V F R Q M	5	\$	I ØDV		
\$)	0 Q LP XP &+ \$ &XUHQRI / D V F R Q M	5		XIQV BA	< HDJ	0 RQMV

\$	\$ GG7LP HRI RFXUHQFH	5		XIQV BA	' D	7LP H
\$		5		XIQV BA	0 LQXW	VFRGG
\$ \$	0 Q LP XP &+ %3KDVH&XUHQFH / DMF RQK	5				
\$ \$ %	0 Q LP XP &+ & 3KDVH&XUHQFH / DMF RQK	5				
\$ & \$	0 Q LP XP &+ =HUR VHTX-HFH&XUHQFH / DMF RQK	5				
\$ \$	0 Q LP XP &+ \$ 3KDVH\$ FMYHSRZ HUI / DMF RQK	5				
\$ \$ \$	0 Q LP XP &+ %3KDVH\$ FMYHSRZ HUI / DMF RQK	5				
\$ % \$)	0 Q LP XP &+ & 3KDVH\$ FMYHSRZ HUI / DMF RQK	5				
\$ \$	0 Q LP XP &+ \$ FMYHSRZ HUI / DMF RQK	5				
\$ \$	0 Q LP XP &+ \$ 3KDVH5 HFMVHSRZ HUI / DMF RQK	5				
\$ \$ \$ (0 Q LP XP &+ %3KDVH5 HFMVHSRZ HUI / DMF RQK	5				
\$) \$	0 Q LP XP &+ & 3KDVH5 HFMVHSRZ HUI / DMF RQK	5				
\$ \$	0 Q LP XP &+ 5 HFMVHSRZ HUI / DMF RQK	5				
\$ \$ '	0 Q LP XP &+ \$ 3KDVHDSSDUHQVSRZ HUI / DMF RQK	5				
\$ (\$	0 Q LP XP &+ %3KDVHDSSDUHQVSRZ HUI / DMF RQK	5				
\$ \$	0 Q LP XP &+ & 3KDVHDSSDUHQVSRZ HUI / DMF RQK	5				
\$ \$ &	0 Q LP XP &+ DSSDUHQVSRZ HUI / DMF RQK	5				
\$ ' \$	0 Q LP XP &+ \$ 3KDVHSRZ HUI DVAURI / DMF RQK	5				
\$ \$	0 Q LP XP &+ %3KDVHSRZ HUI DVAURI / DMF RQK	5				
\$ \$ %	0 Q LP XP &+ & 3KDVHSRZ HUI DVAURI / DMF RQK	5				
\$ & \$	0 Q LP XP &+ SRZ HUI DVAURI / DMF RQK	5				
\$ \$	0 Q LP XP &+ / RQGI DVAURI / DMF RQK	5				
\$ () \$	0 LQP XP &+ \$ 3KDVH&XUHQFH / DMF RQK	5	\$	IQDV		
\$)		5		XIQV BA	< HUI	0 RQK/
\$)	0 LQP XP &+ \$ &XUHQFH / DMF RQK	5		XIQV BA	' D	7LP H
\$)		5		XIQV BA	0 LQXW	VFRGG
\$) \$)	0 LQP XP &+ %3KDVH&XUHQFH / DMF RQK	5				
\$) \$)'	0 LQP XP &+ & 3KDVH&XUHQFH VNH / DMF RQK	5				
\$) (%	0 LQP XP &+ =HUR VHTX-HFH&XUHQFH / DMF RQK	5				
% %	0 LQP XP &+ \$ 3KDVH\$ FMYHSRZ HUI	5				

	/ DMF RQM					
% % &	0 LQP XP &+ %3KDV\$ FMYHSRZ HUI / DMF RQM		5			
% ' %	0 LQP XP &+ & 3KDV\$ FMYHSRZ HUI / DMF RQM		5			
% %	0 LQP XP &+ \$ FMYHSRZ HUI / DMF RQM		5			
% % %	0 LQP XP &+ \$ 3KDV5 HFMVHSRZ HUI / DMF RQM		5			
% & %	0 LQP XP &+ %3KDV5 HFMVHSRZ HUI / DMF RQM		5			
% %	0 LQP XP &+ & 3KDV5 HFMVHSRZ HUI / DMF RQM		5			
% % \$	0 LQP XP &+ 5 HFMVHSRZ HUI / DMF RQM		5			
% % %)	0 LQP XP &+ \$ 3KDVH DSSDUHQV SRZ HUI / DMF RQM		5			
% %	0 LQP XP &+ %3KDVH DSSDUHQV SRZ HUI / DMF RQM		5			
% %	0 LQP XP &+ & 3KDVH DSSDUHQV SRZ HUI / DMF RQM		5			
% \$ % (0 LQP XP &+ DSSDUHQV SRZ HUI / DMF RQM		5			
%) %	0 LQP XP &+ \$ 3KDVHSRZ HUI DMF RQM / DMF RQM		5			
% %	0 LQP XP &+ %3KDVHSRZ HUI DMF RQM / DMF RQM		5			
% % '	0 LQP XP &+ & 3KDVHSRZ HUI DMF RQM / DMF RQM		5			
% (%	0 LQP XP &+ SRZ HUI DMF RQM / DMF RQM		5			
% %	0 LQP XP &+ / RQGI DMF RQM / DMF RQM		5			

&+ &+ H WHP XP DQG 7 LP HRI RFFXUHQFH
5 H HUVR WH DERYH VMEOH &+ H WHP HYDOXHDQG RFFXUHQFH WHP H

: RLG DGGUHW	9 DUDEGH	: RLG DGGUHW	9 DUDEGH
' ,	0 Q LP XP &+ \$ 3KDV&XUHQRI WH 0 RQMV		0 Q LP XP &+ \$ 3KDV&XUHQRI WH 0 RQMV
'	0 Q LP XP &+ \$ &XUHQRI WH 0 RQMV DQG 7 LP HRI RFFXUHQFH		0 Q LP XP &+ \$ &XUHQRI WH 0 RQMV/DQG 7 LP HRI RFFXUHQFH
' ,	0 Q LP XP &+ %3KDV&XUHQRI WH 0 RQMV		0 Q LP XP &+ %3KDV&XUHQRI WH 0 RQMV
' \$ ' (0 Q LP XP &+ & 3KDV&XUHQRI WH 0 RQMV	\$ (0 Q LP XP &+ & 3KDV&XUHQRI WH 0 RQMV
') '	0 Q LP XP &+ =HUR VHTXHQFH&XUHQRI WH 0 RQMV)	0 Q LP XP &+ =HUR VHTXHQFH &XUHQRI WH 0 RQMV
' '	0 Q LP XP &+ \$ 3KDV\$ FMYH SRZ HUI		0 Q LP XP &+ \$ 3KDV\$ FMYH SRZ HUI

	WHO RQKV		WHO RQKV
' , ,	0 Q LP XP &+ %3KDVH\$ FVYH SRZ HUR WHO RQKV	,	0 Q LP XP &+ % 3KDVH \$ FVYH SRZ HUR WHO RQKV
' ('	0 Q LP XP &+ & 3KDVH\$ FVYH SRZ HUR WHO RQKV	(0 Q LP XP &+ & 3KDVH \$ FVYH SRZ HUR WHO RQKV
' , ,	0 Q LP XP &+ \$ FVYH SRZ HUR WH 0 RQKV		0 Q LP XP &+ \$ FVYH SRZ HUR WH 0 RQKV
' , ' &	0 Q LP XP &+ \$ 3KDVH 5 H FVYH SRZ HUR WHO RQKV	&	0 Q LP XP &+ \$ 3KDVH 5 H FVYH SRZ HUR WHO RQKV
' , , ,	0 Q LP XP &+ % 3KDVH 5 H FVYH SRZ HUR WHO RQKV	,	0 Q LP XP &+ % 3KDVH 5 H FVYH SRZ HUR WHO RQKV
' , ,	0 Q LP XP &+ & 3KDVH 5 H FVYH SRZ HUR WHO RQKV		0 Q LP XP &+ & 3KDVH 5 H FVYH SRZ HUR WHO RQKV
' , ' %	0 Q LP XP &+ 5 H FVYH SRZ HUR WH 0 RQKV	%	0 Q LP XP &+ 5 H FVYH SRZ HUR WH 0 RQKV
' & '	0 Q LP XP &+ \$ 3KDVH DSSDUHQV SRZ HUR WHO RQKV	&	0 Q LP XP &+ \$ 3KDVH DSSDUHQV/SRZ HUR WHO RQKV
' , ,	0 Q LP XP &+ %3KDVH DSSDUHQV SRZ HUR WHO RQKV		0 Q LP XP &+ %3KDVH DSSDUHQV/SRZ HUR WHO RQKV
' , ' \$	0 Q LP XP &+ & 3KDVH DSSDUHQV SRZ HUR WHO RQKV	\$	0 Q LP XP &+ & 3KDVH DSSDUHQV/SRZ HUR WHO RQKV
' %')	0 Q LP XP &+ DSSDUHQV/SRZ HUR WH 0 RQKV	%)	0 Q LP XP &+ DSSDUHQV/SRZ HUR WH 0 RQKV
' , ,	0 Q LP XP &+ \$ 3KDVH SRZ HUI D FVRI WHO RQKV		0 Q LP XP &+ \$ 3KDVH SRZ HUI D FVRI WH 0 RQKV
' , ,	0 Q LP XP &+ %3KDVH SRZ HUI D FVRI WHO RQKV		0 Q LP XP &+ %3KDVH SRZ HUI D FVRI WH 0 RQKV
' \$' (0 Q LP XP &+ & 3KDVH SRZ HUI D FVRI WHO RQKV	\$ (0 Q LP XP &+ & 3KDVH SRZ HUI D FVRI WH 0 RQKV
')'	0 Q LP XP &+ SRZ HUI D FVRI WH 0 RQKV)	0 Q LP XP &+ SRZ HUI D FVRI WHO RQKV
' , ,	0 Q LP XP &+ / R DGI D FVRI WHO RQKV		0 Q LP XP &+ / R DGI D FVRI WHO RQKV
' , , , ,	0 LQP XP &+ \$ 3KDVH & XUIHQRI WH 0 RQKV	' , ,	0 LQP XP &+ \$ 3KDVH & XUIHQRI WH 0 RQKV
' , ,	0 LQP XP &+ \$ & XUIHQRI WHO RQKV	' , ,	0 LQP XP &+ \$ & XUIHQRI WHO RQKV/DGG 7LP HRI RFFXUIHQFH
' , , , , %	0 LQP XP &+ %3KDVH & XUIHQRI WH 0 RQKV	' , , %	0 LQP XP &+ %3KDVH & XUIHQRI WH 0 RQKV
' ' & ' (0 LQP XP &+ & 3KDVH & XUIHQRI WH 0 RQKV	' & (0 LQP XP &+ & 3KDVH & XUIHQRI WH 0 RQKV
' (' (0 LQP XP &+ =HUR VHTX-HFH & XUIHQRI WHO RQKV	((0 LQP XP &+ =HUR VHTX-HFH & XUIHQRI WH 0 RQKV
' (' (\$	0 LQP XP &+ \$ 3KDVH \$ FVYH SRZ HUR WHO RQKV	((\$	0 LQP XP &+ \$ 3KDVH \$ FVYH SRZ HUR WH 0 RQKV

' (% (0 LQP XP &+ %3KDVH \$ FVYH SRZ HUR VH0 RQMV	(% &	0 LQP XP &+ % 3KDVH \$ FVYH SRZ HU RI VH0 RQMV
') (0 LQP XP &+ & 3KDVH \$ FVYH SRZ HUR VH0 RQMV) ,	0 LQP XP &+ & 3KDVH \$ FVYH SRZ HU RI VH0 RQMV
') (%	0 LQP XP &+ \$ FVYH SRZ HUR VH 0 RQMV) (0 LQP XP &+ \$ FVYH SRZ HUR VH0 RQMV
') \$ (0 LQP XP &+ \$ 3KDVH5 HCFVYH SRZ HU RI VH0 RQMV) \$)	0 LQP XP &+ \$ 3KDVH5 HCFVYH SRZ HUR VH0 RQMV
')) (0 LQP XP &+ % 3KDVH 5 HCFVYH SRZ HU RI VH0 RQMV))	0 LQP XP &+ % 3KDVH 5 HCFVYH SRZ HUR VH0 RQMV
((\$	0 LQP XP &+ & 3KDVH 5 HCFVYH SRZ HU RI VH0 RQMV		0 LQP XP &+ & 3KDVH 5 HCFVYH SRZ HUR VH0 RQMV
(0 LQP XP &+ 5 HCFVYH SRZ HUR VH 0 RQMV	(0 LQP XP &+ 5 HCFVYH SRZ HUR VH 0 RQMV
((0 LQP XP &+ \$ 3KDVH DSSDUHQ / SRZ HU RI VH0 RQMV	(0 LQP XP &+ \$ 3KDVH DSSDUHQ / SRZ HUR VH0 RQMV
(0 LQP XP &+ % 3KDVH DSSDUHQ / SRZ HU RI VH0 RQMV		0 LQP XP &+ % 3KDVH DSSDUHQ / SRZ HUR VH0 RQMV
(0 LQP XP &+ & 3KDVH DSSDUHQ / SRZ HU RI VH0 RQMV	,	0 LQP XP &+ & 3KDVH DSSDUHQ / SRZ HUR VH0 RQMV
(' (0 LQP XP &+ DSSDUHQ / SRZ HUR VH 0 RQMV	,	0 LQP XP &+ DSSDUHQ / SRZ HUR VH 0 RQMV
((0 LQP XP &+ \$ 3KDVH SRZ HUR DFMURI VH0 RQMV		0 LQP XP &+ \$ 3KDVH SRZ HUR DFMURI VH 0 RQMV
((%	0 LQP XP &+ % 3KDVH SRZ HUR DFMURI VH0 RQMV	%	0 LQP XP &+ % 3KDVH SRZ HUR DFMURI VH 0 RQMV
(& (0 LQP XP &+ & 3KDVH SRZ HUR DFMURI VH0 RQMV	&	0 LQP XP &+ & 3KDVH SRZ HUR DFMURI VH 0 RQMV
((0 LQP XP &+ SRZ HUR DFMURI VH 0 RQMV		0 LQP XP &+ SRZ HUR DFMURI VH0 RQMV
((\$	0 LQP XP &+ / RGGI DFMURI VH 0 RQMV	\$	0 LQP XP &+ / RGGI DFMURI VH0 RQMV
' ' \$	0 Q LP XP &+ \$ 3KDVH & XUHQR / DW 0 RQMV	\$	0 Q LP XP &+ \$ 3KDVH & XUHQR / DW 0 RQMV
' %	0 Q LP XP &+ \$ & XUHQR / DW0 RQMV DQG 7 LP HRI RFFXUH QFH	%	0 Q LP XP &+ \$ & XUHQR / DW0 RQMV DQG 7 LP HRI RFFXUH QFH
' &		&	
' ,		,	
' ('	0 Q LP XP &+ % 3KDVH & XUHQR / DW 0 RQMV	(0 Q LP XP &+ % 3KDVH & XUHQR / DW 0 RQMV
' ,	0 Q LP XP &+ & 3KDVH & XUHQR / DW 0 RQMV		0 Q LP XP &+ & 3KDVH & XUHQR / DW 0 RQMV
' ' &	0 Q LP XP &+ = HUR VHTX-QFH & XUHQR / DW0 RQMV	&	0 Q LP XP &+ = HUR VHTX-QFH & XUHQR / DW0 RQMV
' , ,	0 Q LP XP &+ \$ 3KDVH \$ FVYH SRZ HUR / DW0 RQMV	,	0 Q LP XP &+ \$ 3KDVH \$ FVYH SRZ HUR / DW0 RQMV

' ,	0 Q LP XP &+ %3KDVH\$ FMYH SRZ HUI/ DW0 RQKV		0 Q LP XP &+ %3KDVH\$ FMYH SRZ HUI/ DW0 RQKV
' , %	0 Q LP XP &+ & 3KDVH\$ FMYH SRZ HUI/ DW0 RQKV	%	0 Q LP XP &+ & 3KDVH\$ FMYH SRZ HUI/ DW0 RQKV
' & '	0 Q LP XP &+ \$ FMYHSRZ HUI/ DW 0 RQKV	&	0 Q LP XP &+ \$ FMYHSRZ HUI/ DW 0 RQKV
' ,	0 Q LP XP &+ \$ 3KDVH5 HCFMYH SRZ HUI/ DW0 RQKV		0 Q LP XP &+ \$ 3KDVH5 HCFMYH SRZ HUI/ DW0 RQKV
' , \$	0 Q LP XP &+ %3KDVH5 HCFMYH SRZ HUI/ DW0 RQKV	\$	0 Q LP XP &+ %3KDVH5 HCFMYH SRZ HUI/ DW0 RQKV
' %')	0 Q LP XP &+ & 3KDVH5 HCFMYH SRZ HUI/ DW0 RQKV	%)	0 Q LP XP &+ & 3KDVH5 HCFMYH SRZ HUI/ DW0 RQKV
' \$ ' \$	0 Q LP XP &+ 5 HCFMYHSRZ HUI/ DW 0 RQKV	\$ \$	0 Q LP XP &+ 5 HCFMYHSRZ HUI/ DW 0 RQKV
' \$ ' \$	0 Q LP XP &+ \$ 3KDVHDSDDUHQV SRZ HUI/ DW0 RQKV	\$ \$	0 Q LP XP &+ \$ 3KDVHDSDDUHQV SRZ HUI/ DW0 RQKV
' \$\$ ' \$(0 Q LP XP &+ %3KDVHDSDDUHQV SRZ HUI/ DW0 RQKV	\$ \$ \$(0 Q LP XP &+ %3KDVHDSDDUHQV SRZ HUI/ DW0 RQKV
' \$)' %	0 Q LP XP &+ & 3KDVHDSDDUHQV SRZ HUI/ DW0 RQKV	\$) %	0 Q LP XP &+ & 3KDVHDSDDUHQV SRZ HUI/ DW0 RQKV
' % ' %	0 Q LP XP &+ DSSDUHQVSRZ HUI/ DW 0 RQKV	% %	0 Q LP XP &+ DSSDUHQVSRZ HUI/ DW 0 RQKV
' % ' %	0 Q LP XP &+ \$ 3KDVH SRZ HUI DFMURI/ DW0 RQKV	% %	0 Q LP XP &+ \$ 3KDVH SRZ HUI DFMURI/ DW0 RQKV
' %' &	0 Q LP XP &+ %3KDVH SRZ HUI DFMURI/ DW0 RQKV	%&	0 Q LP XP &+ %3KDVHSRZ HUI DFMURI/ DW 0 RQKV
' & ' &	0 Q LP XP &+ & 3KDVH SRZ HUI DFMURI/ DW0 RQKV	& &	0 Q LP XP &+ & 3KDVH SRZ HUI DFMURI/ DW0 RQKV
' & ' &&	0 Q LP XP &+ SRZ HUI DFMURI/ DW 0 RQKV	& &&	0 Q LP XP &+ SRZ HUI DFMURI/ DW 0 RQKV
' & ' , ,	0 Q LP XP &+ / RGGIDFMURI/ DW 0 RQKV	&' '	0 Q LP XP &+ / RGGIDFMURI/ DW0 RQKV
(% (&	0 LQP XP &+ \$ 3KDVH&XUHQVRI/ DW 0 RQKV	% &	0 LQP XP &+ \$ 3KDVH&XUHQVRI/ DW 0 RQKV
(')	0 LQP XP &+ \$ &XUHQVRI/ DW0 RQKV DQG7LP HRI RFFXUHQFH	' ()	0 LQP XP &+ \$ &XUHQVRI/ DW0 RQKV DQG7LP HRI RFFXUHQFH
((0 LQP XP &+ %3KDVH&XUHQVRI/ DW 0 RQKV		0 LQP XP &+ %3KDVH&XUHQVRI/ DW 0 RQKV
((0 LQP XP &+ & 3KDVH&XUHQVRI/ DW 0 RQKV		0 LQP XP &+ & 3KDVH&XUHQVRI/ DW 0 RQKV
(\$ ((0 LQP XP &+ =HURVHTXHQFH&XUHQV RI/ DW0 RQKV	\$ (0 LQP XP &+ =HURVHTXHQFH&XUHQV RI/ DW0 RQKV
() (0 LQP XP &+ \$ 3KDVH\$ FMYHSRZ HU RI/ DW0 RQKV)	0 LQP XP &+ \$ 3KDVH\$ FMYHSRZ HU RI/ DW0 RQKV

((0 LQP XP &+ %3KDVH\$ FVYHSRZ HU RI/ DW0 RQMV		0 LQP XP &+ %3KDVH\$ FVYHSRZ HU RI/ DW0 RQMV
(('	0 LQP XP &+ & 3KDVH\$ FVYHSRZ HU RI/ DW0 RQMV	,	0 LQP XP &+ & 3KDVH\$ FVYHSRZ HU RI/ DW0 RQMV
(((0 LQP XP &+ \$ FVYHSRZ HURI/ DW 0 RQMV	(0 LQP XP &+ \$ FVYHSRZ HURI/ DW 0 RQMV
((0 LQP XP &+ \$ 3KDVH5 H FVYHSRZ HU RI/ DW0 RQMV		0 LQP XP &+ \$ 3KDVH5 H FVYHSRZ HU RI/ DW0 RQMV
((&	0 LQP XP &+ %3KDVH5 H FVYHSRZ HU RI/ DW0 RQMV	&	0 LQP XP &+ %3KDVH5 H FVYHSRZ HU RI/ DW0 RQMV
(' (0 LQP XP &+ & 3KDVH5 H FVYHSRZ HU RI/ DW0 RQMV	,	0 LQP XP &+ & 3KDVH5 H FVYHSRZ HU RI/ DW0 RQMV
((0 LQP XP &+ 5 H FVYHSRZ HURI/ DW 0 RQMV		0 LQP XP &+ 5 H FVYHSRZ HURI/ DW 0 RQMV
((%	0 LQP XP &+ \$ 3KDVH DSSDUHQ/ SRZ HU RI/ DW0 RQMV	%	0 LQP XP &+ \$ 3KDVH DSSDUHQ/ SRZ HU RI/ DW0 RQMV
(& (0 LQP XP &+ %3KDVH DSSDUHQ/ SRZ HU RI/ DW0 RQMV	&	0 LQP XP &+ %3KDVH DSSDUHQ/ SRZ HU RI/ DW0 RQMV
((0 LQP XP &+ & 3KDVH DSSDUHQ/ SRZ HU RI/ DW0 RQMV		0 LQP XP &+ & 3KDVH DSSDUHQ/ SRZ HU RI/ DW0 RQMV
((\$	0 LQP XP &+ DSSDUHQ/ SRZ HURI/ DW 0 RQMV	\$	0 LQP XP &+ DSSDUHQ/ SRZ HURI/ DW 0 RQMV
(% ()	0 LQP XP &+ \$ 3KDVH SRZ HUI D FVU RI/ DW0 RQMV	%)	0 LQP XP &+ \$ 3KDVH SRZ HUI D FVU RI/ DW0 RQMV
((0 LQP XP &+ % 3KDVH SRZ HUI D FVU RI/ DW0 RQMV		0 LQP XP &+ % 3KDVH SRZ HUI D FVU RI/ DW0 RQMV
((0 LQP XP &+ & 3KDVH SRZ HUI D FVU RI/ DW0 RQMV		0 LQP XP &+ & 3KDVH SRZ HUI D FVU RI/ DW0 RQMV
(\$ ((0 LQP XP &+ SRZ HUI D FVU RI/ DW 0 RQMV	\$ (0 LQP XP &+ SRZ HUI D FVU RI/ DW 0 RQMV
() (\$	0 LQP XP &+ / R DGI D FVU RI/ DW 0 RQMV) \$	0 LQP XP / / R DGI D FVU RI/ DW 0 RQMV
	0 Q LP XP &+ \$ 3KDVH & XUVHQRI VHI 0 RQMV	,	0 LQP XP &+ \$ 3KDVH & XUVHQRI VHI 0 RQMV
	0 Q LP XP &+ \$ & XUVHQRI VHI 0 RQMV/ DQG 7LP HRI RFFXUVHQFH	,	0 LQP XP &+ \$ & XUVHQRI VHI 0 RQMV/DQG 7LP HRI RFFXUVHQFH
	0 Q LP XP &+ %3KDVH & XUVHQRI VHI 0 RQMV	' %	0 LQP XP &+ % 3KDVH & XUVHQRI VHI 0 RQMV
\$ (0 Q LP XP &+ & 3KDVH & XUVHQRI VHI 0 RQMV	' & (0 LQP XP &+ & 3KDVH & XUVHQRI VHI 0 RQMV
)	0 Q LP XP &+ =HUR VHTXHQFH & XUVHQRI VHI 0 RQMV	((0 LQP XP &+ =HUR VHTXHQFH & XUVHQRI VHI 0 RQMV
	0 Q LP XP &+ \$ 3KDVH\$ FVYHSRZ HURI VHI 0 RQMV	((\$	0 LQP XP &+ \$ 3KDVH\$ FVYHSRZ HURI VHI 0 RQMV

,	0 Q LP XP &+ %3KDVH\$ FMYHSRZ HUR VH0 RQKV	(%	0 LQP XP &+ %3KDVH\$ FMYHSRZ HUR VH 0 RQKV
(0 Q LP XP &+ & 3KDVH\$ FMYHSRZ HUR VH0 RQKV)	0 LQP XP &+ & 3KDVH\$ FMYHSRZ HUR VH 0 RQKV
	0 Q LP XP &+ \$ FMYHSRZ HUR VH 0 RQKV) &	0 LQP XP &+ \$ FMYHSRZ HUR VH0 RQKV
&	0 Q LP XP &+ \$ 3KDVH5 HCFVYH SRZ HUR VH0 RQKV)\$	0 LQP XP &+ \$ 3KDVH 5 HCFVYH SRZ HUR VH0 RQKV
,	0 Q LP XP &+ %3KDVH5 HCFVYH SRZ HUR VH0 RQKV))	0 LQP XP &+ % 3KDVH 5 HCFVYH SRZ HUR VH0 RQKV
	0 Q LP XP &+ & 3KDVH5 HCFVYH SRZ HUR VH0 RQKV	%	0 LQP XP &+ & 3KDVH 5 HCFVYH SRZ HUR VH0 RQKV
%	0 Q LP XP &+ 5 HCFVYH SRZ HUR VH 0 RQKV		0 LQP XP &+ 5 HCFVYH SRZ HUR VH 0 RQKV
&	0 Q LP XP &+ \$ 3KDVH DSSUHQV SRZ HUR VH0 RQKV	(0 LQP XP &+ \$ 3KDVH DSSUHQV SRZ HUR VH0 RQKV
	0 Q LP XP &+ %3KDVH DSSUHQV SRZ HUR VH0 RQKV	\$	0 LQP XP &+ % 3KDVH DSSUHQV SRZ HUR VH0 RQKV
\$	0 Q LP XP &+ & 3KDVH DSSUHQV SRZ HUR VH0 RQKV)	0 LQP XP &+ & 3KDVH DSSUHQV SRZ HUR VH0 RQKV
%)	0 Q LP XP &+ DSSUHQV SRZ HUR VH 0 RQKV	,	0 LQP XP &+ DSSUHQV SRZ HUR VH 0 RQKV
	0 Q LP XP &+ \$ 3KDVH SRZ HUR DFRURI VH0 RQKV		0 LQP XP &+ \$ 3KDVH SRZ HUR DFRURI VH 0 RQKV
	0 Q LP XP &+ % 3KDVH SRZ HUR DFRURI VH0 RQKV	%	0 LQP XP &+ % 3KDVH SRZ HUR DFRURI VH 0 RQKV
\$ (0 Q LP XP &+ & 3KDVH SRZ HUR DFRURI VH0 RQKV	&	0 LQP XP &+ & 3KDVH SRZ HUR DFRURI VH 0 RQKV
)	0 Q LP XP &+ SRZ HUR DFRURI VH 0 RQKV		0 LQP XP &+ SRZ HUR DFRURI VH0 RQKV
	0 Q LP XP &+ / RGG DFRURI VH 0 RQKV	\$	0 LQP XP &+ / RGG DFRURI VH0 RQKV
\$	0 Q LP XP &+ \$ 3KDVH & XUHQRU DWV 0 RQKV	% &	0 LQP XP &+ \$ 3KDVH & XUHQRU DWV 0 RQKV
%	0 Q LP XP &+ \$ & XUHQRU DWV RQKV DQG 7 LP HRI RFFXUHCFH	,	0 LQP XP &+ \$ & XUHQRU DWV 0 RQKV DQG 7 LP HRI RFFXUHCFH
&		(
,)	
(0 Q LP XP &+ % 3KDVH & XUHQRU DWV 0 RQKV		0 LQP XP &+ % 3KDVH & XUHQRU DWV 0 RQKV
	0 Q LP XP &+ & 3KDVH & XUHQRU DWV 0 RQKV		0 LQP XP &+ & 3KDVH & XUHQRU DWV 0 RQKV
&	0 Q LP XP &+ =HUR VHTXCFH & XUHQRU DWV RQKV	\$ (0 LQP XP &+ =HUR VHTXCFH & XUHQRU DWV RQKV
,	0 Q LP XP &+ \$ 3KDVH \$ FMYH SRZ HUR DWV RQKV)	0 LQP XP &+ \$ 3KDVH \$ FMYH SRZ HUR DW 0 RQKV

	0 Q LP XP &+ % 3KDVH \$ FVYH SRZ HUR OWO RQKV		0 LQP XP &+ % 3KDVH \$ FVYH SRZ HUR OWO RQKV
%	0 Q LP XP &+ & 3KDVH \$ FVYH SRZ HUR OWO RQKV	,	0 LQP XP &+ & 3KDVH \$ FVYH SRZ HUR OWO RQKV
&	0 Q LP XP &+ \$ FVYH SRZ HUR OW 0 RQKV	(0 LQP XP &+ \$ FVYH SRZ HUR OWO RQKV
	0 Q LP XP &+ \$ 3KDVH5 HCFVYH SRZ HU RI OWO RQKV		0 LQP XP &+ \$ 3KDVH5 HCFVYH SRZ HUR OWO RQKV
\$	0 Q LP XP &+ %3KDVH5 HCFVYH SRZ HU RI OWO RQKV	&	0 LQP XP &+ %3KDVH5 HCFVYH SRZ HUR OWO RQKV
%)	0 Q LP XP &+ & 3KDVH5 HCFVYH SRZ HU RI OWO RQKV	,	0 LQP XP &+ & 3KDVH5 HCFVYH SRZ HUR OWO RQKV
\$ \$	0 Q LP XP &+ 5 HCFVYH SRZ HUR OW 0 RQKV		0 LQP XP &+ 5 HCFVYH SRZ HUR RI OW 0 RQKV
\$ \$	0 Q LP XP &+ \$ 3KDVH DSSDUHQ/ SRZ HU RI OWO RQKV	%	0 LQP XP &+ \$ 3KDVH DSSDUHQ/ SRZ HUR OWO RQKV
\$\$ \$(0 Q LP XP &+ %3KDVH DSSDUHQ/ SRZ HU RI OWO RQKV	&	0 LQP XP &+ %3KDVH DSSDUHQ/ SRZ HUR OWO RQKV
\$) %	0 Q LP XP &+ & 3KDVH DSSDUHQ/ SRZ HU RI OWO RQKV		0 LQP XP &+ & 3KDVH DSSDUHQ/ SRZ HUR OWO RQKV
% %	0 Q LP XP &+ DSSDUHQ/ SRZ HUR OW 0 RQKV	\$	0 LQP XP &+ DSSDUHQ/ SRZ HUR RI OW 0 RQKV
% %	0 Q LP XP &+ \$ 3KDVH SRZ HUR DFRU RI OWO RQKV	%)	0 LQP XP &+ \$ 3KDVH SRZ HUR DFRU RI OW 0 RQKV
%&	0 Q LP XP &+ % 3KDVH SRZ HUR DFRU RI OWO RQKV		0 LQP XP &+ % 3KDVH SRZ HUR DFRU RI OWO RQKV
& &	0 Q LP XP &+ & 3KDVH SRZ HUR DFRU RI OWO RQKV		0 LQP XP &+ & 3KDVH SRZ HUR DFRU RI OWO RQKV
& &&	0 Q LP XP &+ SRZ HUR DFRU RI OW 0 RQKV	\$ (0 LQP XP &+ SRZ HUR DFRU RI OWO RQKV
&' ,	0 Q LP XP &+ / RCG I DFRU RI OW 0 RQKV) \$	0 LQP XP &+ / RCG I DFRU RI OWO RQKV

(QHJ\) UHJ H\$ GGUHW7 DEOH

' HYLH DEGUHW	IXCFWRQFRG	6VUWUQ DGGUHW	5 HDG@QJVK	&K-FNEIW	
DEU				FUF	FUF
1 RMM' LI IHUQ/WDUW DGGUHW GU IHUQ/WH DGI UHJ HCDM5 HDG@QJVK FDCQR/VEHFKDQJHG					
6HGGDEU FUF FUF					
5HFLYHDEU [[[[[[[[[[[[[[[[[[[[[[[[[[[[[[[[FUF FUF					
7KHUHMUQGDW DGGUHW/LV/DV/ROZV					
% W @	DEU		% W @) UHJ H&+ \$ FVYH SRZ HU OMHOU	I@DV
% W @	[% W @) UHJ H/ \$ FVYH9 D@H 3RZ HU	I@DV

% W @	[% W @) UH H&+ 3R VYHDFVYH HQJ\	I QDV
% W @	< HJ0 RQW	XLQV B	% W @) UH H&+ 5 HYUHDFVYH HQJ\	I QDV
% W @	' D 7IPH	XLQV B	% W @) UH H&+) RZ DUGUDFVYH HQJ\	I QDV
% W @	0 LQW/VFRQG	XLQV B	% W @) UH H&+ 5 HYUHDFVYH HQJ\	I QDV
% W @	5HYUH	XLQV B	% W @) UH H&+ \$ FVYHMS 3RZ HU	I QDV
% W @) UH H&+ 3R VYHDFVYH HQJ\	I QDV	% W @) UH H&+ \$ FVYHSDN3RZ HU	I QDV
% W @) UH H&+ 5 HYUHDFVYH HQJ\	I QDV	% W @) UH H&+ \$ FVYHSRZ HU	I QDV
% W @) UH H&+) RZ DUGUDFVYH HQJ\	I QDV	% W @) UH H&+ \$ FVYH9 DQ 3RZ HU	I QDV
% W @) UH H&+ 5 HYUHDFVYH HQJ\	I QDV	% W @) UH H&+ 3R VYHDFVYH HQJ\	I QDV
% W @) UH H&+ \$ FVYHMS 3RZ HU	I QDV	% W @) UH H&+ 5 HYUHDFVYH HQJ\	I QDV
% W @) UH H&+ \$ FVYHSDN3RZ HU	I QDV	% W @) UH H&+) RZ DUGUDFVYH HQJ\	I QDV
% W @) UH H&+ \$ FVYHSRZ HU	I QDV	% W @) UH H&+ 5 HYUHDFVYH HQJ\	I QDV
% W @) UH H/ \$ FVYH9 DQ 3RZ HU	I QDV	% W @) UH H&+ \$ FVYHMS 3RZ HU	I QDV
% W @) UH H&+ 3R VYHDFVYH HQJ\	I QDV	% W @) UH H&+ \$ FVYHSDN3RZ HU	I QDV
% W @) UH H&+ 5 HYUHDFVYH HQJ\	I QDV	% W @) UH H&+ \$ FVYHSRZ HU	I QDV
% W @) UH H&+) RZ DUGUDFVYH HQJ\	I QDV	% W @) UH H&+ \$ FVYH9 DQ 3RZ HU	I QDV
% W @) UH H&+ 5 HYUHDFVYH HQJ\	I QDV	% W @	FUF	XLQVB
% W @) UH H&+ \$ FVYHMS 3RZ HU	I QDV	% W @	FUF	XLQVB
% W @) UH H&+ \$ FVYHSDN3RZ HU	I QDV			

7KHVS FULF DGGUHWLVDI RQZ V

6VUWQJ DGGUHW) UH LQJ SRVNRQ	6VUWQJ DGGUHW) UH LQJ SRVNRQ	6VUWQJ DGGUHW) UH LQJ SRVNRQ	6VUWQJ DGGUHW) UH LQJ SRVNRQ
	3DW ^W GD		3DW ^W ' D)	3DW ^W ' D		3DW ^W ' D
	3DW ^{GS} ' D		3DW ^W ' D		3DW ^W ' D		3DW ^W ' D
	3DW ^{LS} ' D		3DW ^W ' D		3DW ^W ' D		3DW ^W ' D
	3DW ^W ' D	\$	3DW ^W ' D		3DW ^W ' D	\$	3DW ^W ' D
	3DW ^W ' D	%	3DW ^W ' D		3DW ^W ' D	%	3DW ^W ' D
	3DW ^W ' D	&	3DW ^W ' D		3DW ^W ' D	&	3DW ^W ' D
	3DW ^W ' D	'	3DW ^W ' D		3DW ^W ' D	'	3DW ^W ' D
	3DW ^W ' D	(3DW ^W ' D		3DW ^W ' D	(3DW ^W ' D

' DMDUFRUG DGGUHWVDECH

' HMFHDGGUHW	IXQFWRQFRG	6VWUWQJ DGGUHW		' DMDUFRUG		&KFNELW	
DGU						FUF	FUF
1 RMM' WUHUQWVWUWQJ DGGUHWV FRUHVSRQG VR GUUHUQWVFRUGV 5 HDGDUQVM FDQQRWEHFKDQJHG							
6HGG						FUF FUF	
5HFLYH))							

7KHUHMUGDMDGGUHWLV/DVIRORZV

+L	/ R	+L	/ R	+L / F	+L / F	+L / F	+L / F	+L / F	+L / F	+L / F
[' 2	\$ OUP	ELW ' 2	6ZLVKIQ QXPEU							
[' 2	WVSH	ELW & QVH8 S	[QX %JDFKURDG							
[) (YHQVHFRUG		' LVFRQFW	[QX VEMFW							

7KHVSHLIFHYQWVFRUGDGGUHWLV/DVIRORZV

[\$ UNFOH	[\$ UNFOH	[\$ UNFOH	[\$ UNFOH	[\$	\$ UNFOH
[\$ UNFOH	[\$ UNFOH	[\$ UNFOH	[\$ UNFOH	[\$	\$ UNFOH
[\$ UNFOH	[\$	\$ UNFOH	[\$ UNFOH	[\$	\$ UNFOH	[\$	\$	\$ UNFOH
[\$ UNFOH	[%	\$ UNFOH	[\$ UNFOH	[%	\$ UNFOH	[\$	\$	\$ UNFOH
[\$ UNFOH	[&	\$ UNFOH	[\$ UNFOH	[&	\$ UNFOH	[\$	\$	\$ UNFOH
[\$ UNFOH	['	\$ UNFOH	[\$ UNFOH	['	\$ UNFOH	[\$	\$	\$ UNFOH
[\$ UNFOH	[(\$ UNFOH	[\$ UNFOH	[(\$ UNFOH	[\$	\$	\$ UNFOH
[\$ UNFOH	[)	\$ UNFOH	[\$ UNFOH	[)	\$ UNFOH	[\$	\$	\$ UNFOH
[\$ UNFOH	[\$ UNFOH	[\$ UNFOH	[\$ UNFOH	[\$	\$	\$ UNFOH
[\$ UNFOH	[\$ UNFOH	[\$ UNFOH	[\$ UNFOH	[\$	\$	\$ UNFOH
[\$	\$ UNFOH	[\$ UNFOH	[\$	\$ UNFOH	[\$ UNFOH	[\$\$	\$	\$ UNFOH
[%	\$ UNFOH	[\$ UNFOH	[%	\$ UNFOH	[\$ UNFOH	[\$%	\$	\$ UNFOH
[&	\$ UNFOH	[\$ UNFOH	[&	\$ UNFOH	[\$ UNFOH	[\$&	\$	\$ UNFOH
['	\$ UNFOH	[\$ UNFOH	['	\$ UNFOH	[\$ UNFOH	[\$'	\$	\$ UNFOH
[(\$ UNFOH	[\$ UNFOH	[(\$ UNFOH	[\$ UNFOH	[\$(\$	\$ UNFOH
[)	\$ UNFOH	[\$ UNFOH	[)	\$ UNFOH	[\$ UNFOH	[\$)	\$	\$ UNFOH
[\$ UNFOH	[\$ UNFOH	[\$ UNFOH	[\$ UNFOH	[%	\$	\$ UNFOH
[\$ UNFOH	[\$ UNFOH	[\$ UNFOH	[\$ UNFOH	[%	\$	\$ UNFOH
[\$ UNFOH	[\$	\$ UNFOH	[\$ UNFOH	[\$	\$ UNFOH	[%	\$	\$ UNFOH
[\$ UNFOH	[%	\$ UNFOH	[\$ UNFOH	[%	\$ UNFOH	[%	\$	\$ UNFOH
[\$ UNFOH	[&	\$ UNFOH	[\$ UNFOH	[&	\$ UNFOH	[%	\$	\$ UNFOH
[\$ UNFOH	['	\$ UNFOH	[\$ UNFOH	['	\$ UNFOH	[%	\$	\$ UNFOH
[\$ UNFOH	[(\$ UNFOH	[\$ UNFOH	[(\$ UNFOH	[%	\$	\$ UNFOH
[\$ UNFOH	[)	\$ UNFOH	[\$ UNFOH	[)	\$ UNFOH	[%	\$	\$ UNFOH
[\$ UNFOH	[\$ UNFOH	[\$ UNFOH	[\$ UNFOH	[%	\$	\$ UNFOH
[\$ UNFOH	[\$ UNFOH	[\$ UNFOH	[\$ UNFOH	[%	\$	\$ UNFOH
[\$	\$ UNFOH	[\$ UNFOH	[\$	\$ UNFOH	[\$ UNFOH	[%\$	\$	\$ UNFOH
[%	\$ UNFOH	[\$ UNFOH	[%	\$ UNFOH	[\$ UNFOH	[%%	\$	\$ UNFOH

[&	\$ UNFOH	[\$ UNFOH	[&	\$ UNFOH	[\$ UNFOH	[%&	\$ UNFOH
[']	\$ UNFOH	[\$ UNFOH	[']	\$ UNFOH	[\$ UNFOH	[%	\$ UNFOH
[(\$ UNFOH	[\$ UNFOH	[(\$ UNFOH	[\$ UNFOH	[%	\$ UNFOH
[)]	\$ UNFOH	[\$ UNFOH	[)]	\$ UNFOH	[\$ UNFOH	[%)	\$ UNFOH
[\$ UNFOH	[\$ UNFOH	[\$ UNFOH	[\$ UNFOH	[&	\$ UNFOH
[\$ UNFOH	[\$ UNFOH	[\$ UNFOH	[\$ UNFOH	[&	\$ UNFOH
[\$ UNFOH	[\$	\$ UNFOH	[\$ UNFOH	[\$	\$ UNFOH	[&	\$ UNFOH
[\$ UNFOH	[%	\$ UNFOH	[\$ UNFOH	[%	\$ UNFOH	[&	\$ UNFOH
[\$ UNFOH	[&	\$ UNFOH	[\$ UNFOH	[&	\$ UNFOH	[&	\$ UNFOH
[\$ UNFOH	[']	\$ UNFOH	[\$ UNFOH	[']	\$ UNFOH	[&	\$ UNFOH
[\$ UNFOH	[(\$ UNFOH	[\$ UNFOH	[(\$ UNFOH	[&	\$ UNFOH
[\$ UNFOH	[)]	\$ UNFOH	[\$ UNFOH	[)]	\$ UNFOH	[&	\$ UNFOH

&RP P RQ I DXOVDQDO VLV

&RP P RQ I DXOVDQDO VLV DGGHOP LQDNRQ

) DXOFRQMOV	\$ QDO VLV	5HP DUNV
1 RGLVSDI DVAUSRZ HURQ	&K-FNII VMSRZ HUXSSO YROUHLVZ LMLQVMSRSHUDNOJ YROUHUDQJH	
9ROUJH FXUHQWSRZ HUHAF UHQGQVDUHLQFRUJFW	&K-FNII VHYROUHVRF XUHQVUDNR VHWQJ LVFRUJFW &K-FNII VHZLUQJ PRGHVHWQJ LVFRQVXMQ/Z LK VMDPMDO &K-FNII YROUHWQJ RUP HU XUHQVMDQ RUP HULVQDFW	
3RZ HURSRZ HUI DVAULV LQFRUJFW	&K-FNII VHZLUQJ PRGHVHWQJ LVFRQVXMQ/Z LK VMDPMDO &K-FNII VHYROUHDGGFXUHQVSKDVHTXCFHILVFRUJFW &K-FNII VHZLUQJ LVFRUJFW	
&RP P XQFDNRQLVQRW GRUP DO	&K-FN ZKHWU VMS DGGUW EDXG UDM FKFN GLJLV HAF LQ VMS FRP P XQFDNRQVHWQJ VDUHFRQVXMQ/Z LK VMSKRWFRP SXMUJ &K-FNII VMS56 FRQVHUMULVGRUP DO 3DUOOFRQHFVRQRI RKP VRUP RUHDVMSHGGRI FRP P XQFDNRQ &K-FNII VHZLUQJ LVFRUJFW	