



\$' / (

/v•š @ š] v v } %oCES] v ]v•šQE š] v si X

\$ &5 ( / &R / W

' HFOUH

7KHFRS\ULK\W\WHSURSHUWR\ \$FUH\$Q\ LQRUP\ DNRQLQDQ  
SDUDJDSKRUM\FWRQFDQR\VEHH\ WDFWG\ FRS\HGRURM\HZ\LVHU\SURGXFHG  
RUSURSDJDAG 2\W\HZ\LVHRI\HGHU\VKDQ\NHDQ\FRQ\HTX\HGHV  
\$ @ULK\W\DUH\U\H\YHG

\$FUH\U\H\YH\W\HUL\K\WR\PRGI\ W\HSURGXFW\SH\FLLFDNRQ\KHUHQ  
Z\W\RX\Q\RW\FDNRQ 3\GDH\FRQ\XOM\H\GFDDJ\HQ\DERX\W\H\Q\MMW  
V\SH\FLLFDNRQ\EH\RUHSQ\FQJ\DSXUFK\DHRLGHU

# &RQMQW

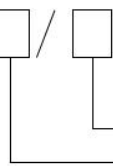
* HQHDO	í
7\ SHGHFUSMRQ	í
) XCFMRQGHFUSMRQ	í
7HKQFDSDDP HMU	î
2 XWQH	ï
: LUQJ DQG LQWQWQJ	ï
) XCFMRQGHFUSMRQ	ó
2 SHJMRQDQG GLVSDA	ô
&RP P XQFDMRQGHFUSMRQ	íí

\* HQHDO

\$' / ( LVDP DWP HMUGHMJQHGRUSRZ HUVSSO V WMP LGGVMDDDGGP LQOJ  
 HQMLSUMV/DGGXMDM/VRFDDXDMVHDFWFLW FRQXP SWRQDGGP DDDJHVMHDFWIF G-P DGG , W  
 IHDMUHV/MHKLJK SUHFLVRQ VP DDDJ HDGGVLP SCHLQMDDDMRQ , WQMJUDM/VHHP HDXUP HQVRI DD  
 HDFWIFDSDUP HMVZ LKVMHFRP SUKHQLYHDFWFLW P HMUQJ DGGP DDDJHP HQ/SURYLGH/  
 YDURXV/GDDVRQSUYLRXV P RQXV FK-FNV/MH WVKDUP RQF FRQMD/DGGVMHVMDDKUP RQF  
 FRQMD/MHDDJ HVVMHUP RMFRP P XQFDMRQDGGVMHUP RMFRQMDZ LK VZ LKFKQJ LGSXVDDGUHD  
 RXSXDGGGERDVMHDDUP RXSXDW,VMV/LVMGZ LK 56 FRP P XQFDMRQSRVMDGGDDDSMGVR  
 0 2' %86 578 \$' / ( FDQEHXVGLQDDNCGVRI FRQMDRQX WMP V 6&\$' \$ V WMP VDDG  
 HQHJ P DDDJHP HQW WMP V \$ DD HMV/S KZZNK KRZKJ ZKI NTDGRXW OKS KTZY ULKRI ZDDZ  
 VUJ KXS KZKXG ZNK /+) o• /+) YZGTJ GX Y

7\ SHGHVFLSWRQ

ADL3000-E  /



- CT: Outlay transformer
- F: Multi-triff energy
- K: One DI One DO
- T: Three outlay NTC temperature measurement
- 2C: The second RS485

) XQFMRQGHVFLSWRQ

) XQFMRQ	) XQFMRQGHVFLSWRQ	) XQFMRQSURYLGH
0 HDXUP HQVRI N K	\$ FVYHN K SRVYHDDGGCHJDMYH	μ
	5 HFDVYHN K SRVYHDDGGCHJDMYH	μ
	\$ % & SKDHSRVYHDFVYHN K	μ
0 HDXUP HQVRI HDFWIFDSDUP HMV/	8 Å ,3Å 4 Å 6Å 3) Å )	μ
		μ
0 HDXUP HQVRI	a <sup>67</sup> 9 RQJHDDGFXUHQ/KDUP RQF	μ
/ & ' ' LVSD	ELVVHFWRQ/ & ' GLSD EDNFURXGGQKW	μ
. H SURJUDP P LQJ	NH VVRFRP P XQFDMRQDGGVMHSDUP HMV/	μ
3XOHRXSXW	\$ FVYHSXOHRXSXW	μ
	5 HFDVYHSXOHRXSXW	¶ 1 RM
	& GFNSXOHRXSXW	¶ 1 RM
0 XQMDUJL DGG IXQFMRQV	\$ FVYHVZ LK LGSXW	¶ 1 RM
	6Z LK RXSXDW	¶ 1 RM

	\$ GDSW WP HJ RQH WP HLOMYPDODW WP HLOMYPDCEA GA DQG WUUI UDM	¶
	0 QI G-P DQG-GN K DQG WP HKDSSHQ-G	¶
	) URJ HQGDWRQDWW P RQAV DWW GA V ' DM WP H	¶
	, QUDJGFRP P XQFDNRQ	µ
&RP P XQFDNRQ	7KHILUWFRP P XQFDNRQSDM &RP P XQFDNRQLQMUJFH 56 &RP P XQFDNRQSURAFRO 2' %86 578	¶
	7KHVFRQGFRP P XQFDNRQSDM &RP P XQFDNRQLQMUJFH 56 &RP P XQFDNRQSURAFRO 2' %86 578	¶ 1 RM
7HP SHUDMUH PHDXUPHQV	6XSSRUW RXD 17& WP SHUDMUH	¶ 1 RM

µ PHQ/WOQDUG ¶ PHQ/RSMRQD  
4 UZK

8KG ZDK V[ RK U[ Z[ Z I RJ QV[ RK U[ Z[ ZGTJ Y] QI NDM U[ Z[ Z ) NUUYK UTK ULZNYK  
ZNXK

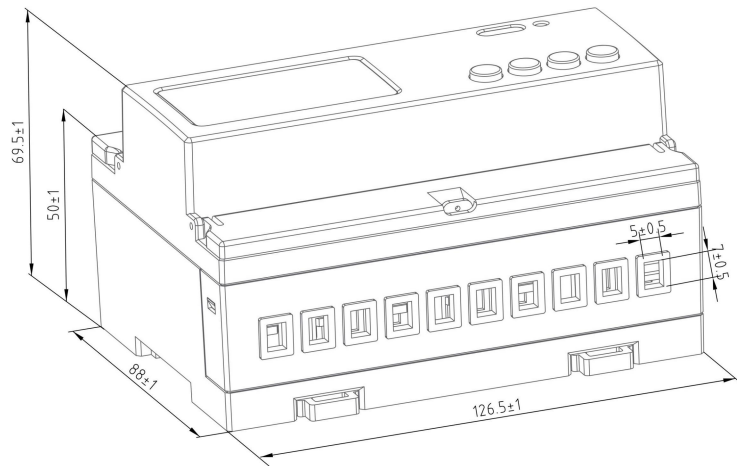
' I ZK Y] QI NDM ZK YKI UTJ I US S [ TOGZOT VGN ) NUUYK UTK ULZNYK Z U  
( UZN GTJ I GTTUZH I NUUYK ] NGR I NUUYM ZKS VKGZ \* S KG[ \* S KTZ

## 7HKQFDOSDUP HMU

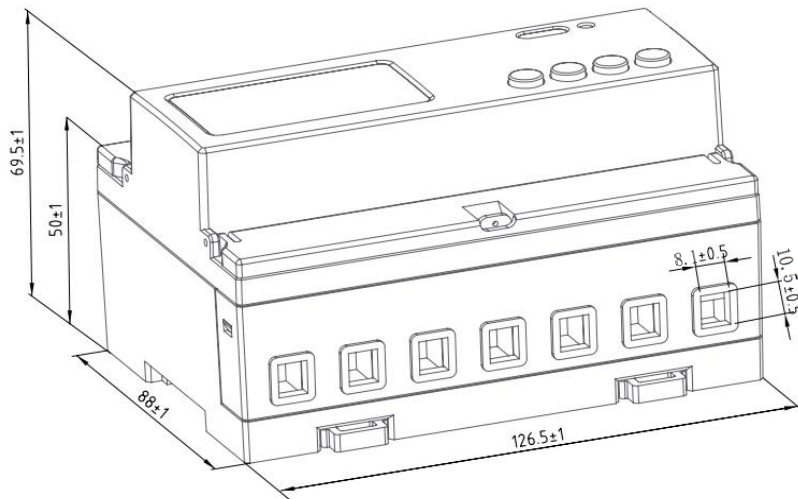
	6SHILFDNRQ	SKDH ZLUH SKDH ZLUH
9RDUH	5HHUHQHYROUH	h 9Ä h 9Ä h 9Ä h 9
	&RQXP SWRQ	9\$ 6LQØISKDH
	,P SHGQFH	! 0
	\$ FFXUFA FOW	+XUX
&XUHQV	,GSXVFXUHQV	h \$ È h \$ 2XØ WDCMRUPHÈ h \$ È h \$ 2XØ WDCMRUPH
	&RQXP SWRQ	9\$ 6LQØISKDHUINGFXUHQV
	\$ FFXUFA FOW	( URJ
	3RZHU	\$ FVYH UDFVYH DSSUHQ/SRZHU URJ •
	) UHTXQF	+JÈ ( URJ
	7HP SHUDMUH	
	( QHJ	\$ FVYH HQHJ \$ FFXUFA FOW UDFVYH HQHJ \$ FFXUFA FOW
	&ØFN	0 VG
	( QHJ SXOHRXSXW	DFVYHRSVFRXSOURXSXW UDFVYHRSVFRXSOURXSXW
	6ZLVKIQ RXSXW	6ZLVKIQ RXSXW QI LP XP DØZ HGYROUH' & \$ & 9
	6ZLVKIQ LGSXW	RSVFRXSOURXSXW QI LP XP DØZ HGYROUH' & \$ & 9
	: LGM RI SXOH	" PV
	3XOHFRQMDQV	IPSN K IPSN K &RUHSRGGZLVKVMHEDMF FXUHQV
	, QMUJFH DQGFRP P XQFDNRQ	56 Ö 0 RGEXV578
	5DQJHRI FRP P XQFDNRQ	0 RGEXV578 a x

DGGUW	
%DXGUDM	ESVa    ESV
5 HDYHWP SHDAUH	a
5 HDYHKP LGW	" • 1 RFRG-QDNRQ

' LP HQMRQ GUDZ LQJV



)LJ }vv šĀ d



)LJ GUFWRQGFHW

1 RMÖ7KHVUXHRI GUFWRQGFHWKRXGQVHJUJDMUMQ 1 PÈDGGVHUXHRI }vv š  
 Ā d • Z}µo v}š FCE š OZ v îXE PÄ

: ILUQ DQGLQMDQQ

**: LULQJ LQWUXPHQW**

7KH \$' / ( & 7 XVHV VKUHH SKDVH I RXU ZLUH WUDQVFXUUHQW/WUDQM RUPHU DFFHW VKUHH SKDVH VKUHH ZLUH WUDQVFXUUHQW/WUDQM RUPHU DFFHW VKUHH SKDVH I RXU ZLUH YLD YRQW\DJH DQG FXUUHQW/WUDQM RUPHU DFFHW DQG VKUHH SKDVH VKUHH ZLUH WUDQVFXUUHQW YRQW\DJH WUDQM RUPHU DFFHW : KHQ XVLOJ VKUHH SKDVH DQG VKUHH ZLUH DFFHW VKH LQWUXPHQW/QHG/VREHPRGLI LHGE\ SUHMLQJ VKHEXWVRQRU\VKHFRUUHVSROGLQJ GHXJLQJ VRI VZDUH

**5HPDUNÖ**

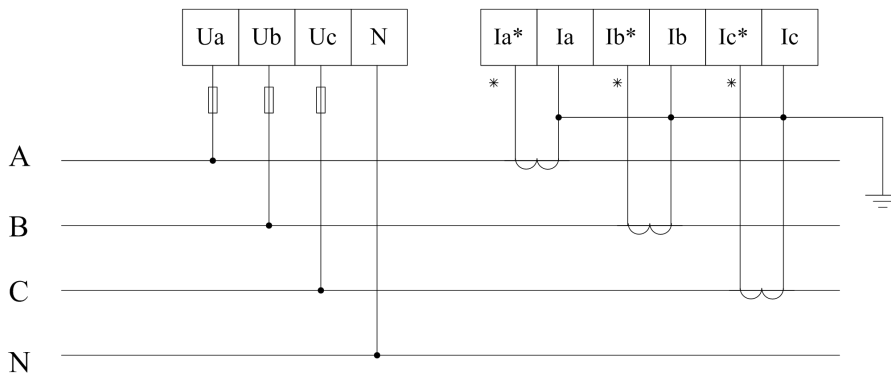
Ê \$' / ( & 7 H\ VHUQDOWUDQM RUPHULV UHG DQG ZKLWHVZRZLUHV UHGLQWUXPHQW , \$ , % , & ZKLWH LQWUXPHQW, \$ , %

7KH \$' / ( & 7 XVHV LWV RZQ P\$ FODW WUDQM RUPHU DQG LW LV WULFVQ I RUELGHQVR DFFHW RUEGDU \$ RU \$ R\W\$XWUDQM RUPHUV RWKHUZLVH LWZLOO FDXVH GEPDJH VR VKH LQWUXPHQW

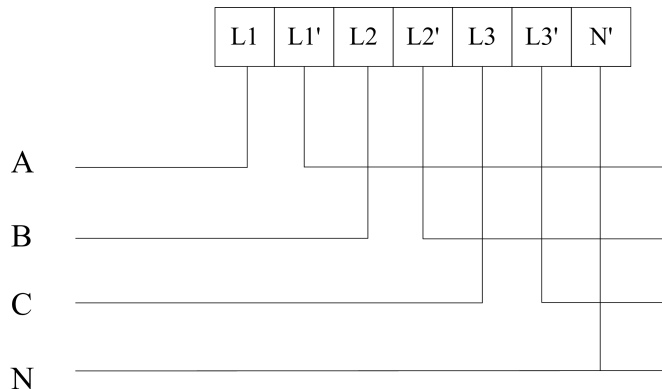
\$' / ( & 7 : KHQ ZLULQJ VKH WUDQM RUPHU VHUPLQDQV DUH SURKLELVHG I URP VKRUWLQJ DQG JURXQGLQJ RWKHUZLVH LWZLOO QDGH VR LQDFFXUDWH PHVWLUQJ RU LQWUXPHQW GEPDJH

: KHQ VKH \$' / ( & 7 LV XVHG VR PHDVXUH VKH VFRQGDU OLQH RI VKH I LHOG WUDQM RUPHU VKH LQWUXPHQW V RZQ WUDQM RUPHU VKRXG EH NHSWDQD GLW DGFH JUHDWHU VKDQ FP I URP VKH I LHOG SULPDU VLGH WUDQM RUPHU VR DYRLG LQWU HUHQFH

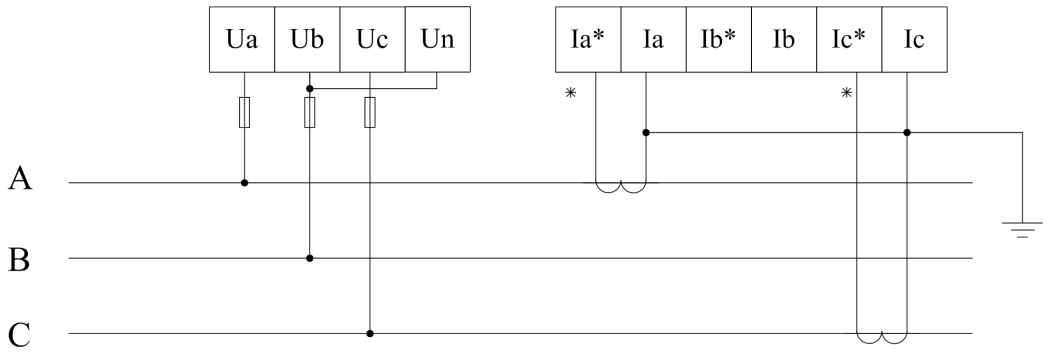
**: LUUQJ VDP SOIRI YRQWHDQG FXUUHQW**



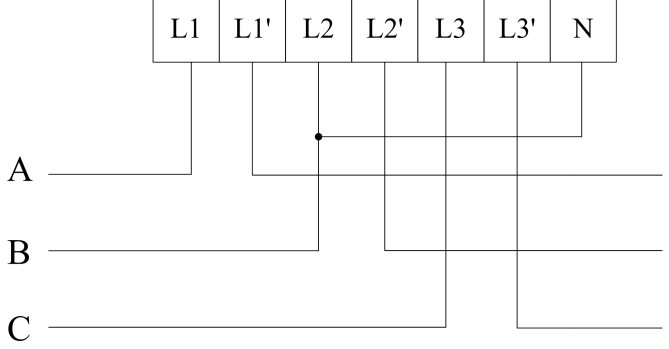
) LJ 7KHUSKDVH I RXU QJHFRQFWLQJ



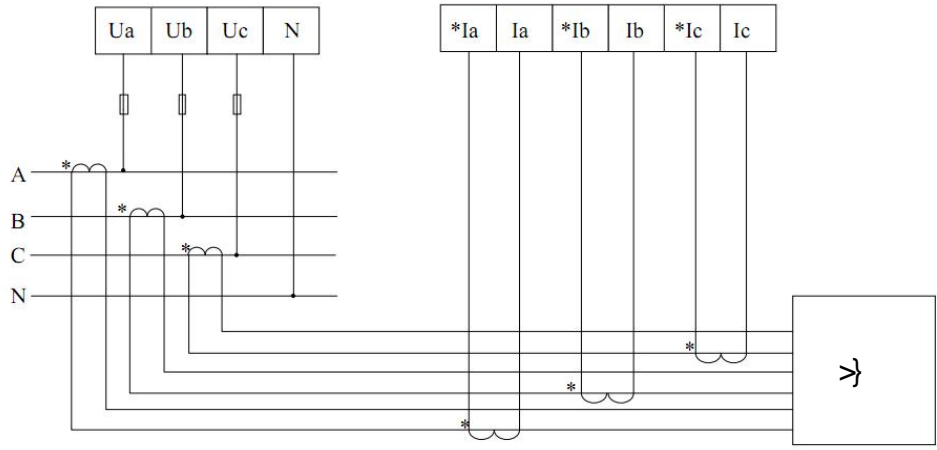
) LJ 7KHUSKDVH I RXU QJHFRQFWLQJ



) LJ 7KUHSKD/HMUHQH/FRQHFVLD&7

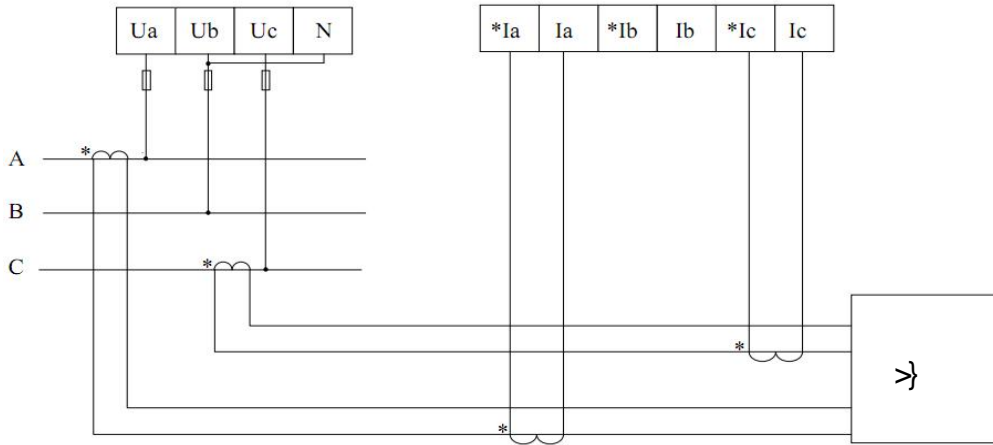


) LJ 7KUHSKD/HMUHQH/GUHFVRCQFW

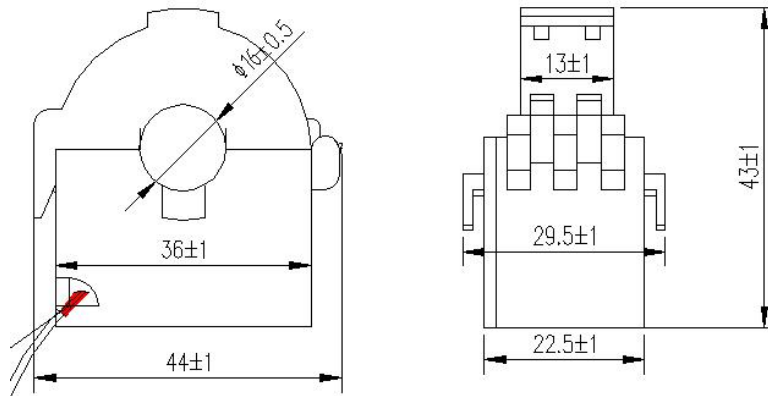


&PódZCE %Z • ( ) μCv • U d



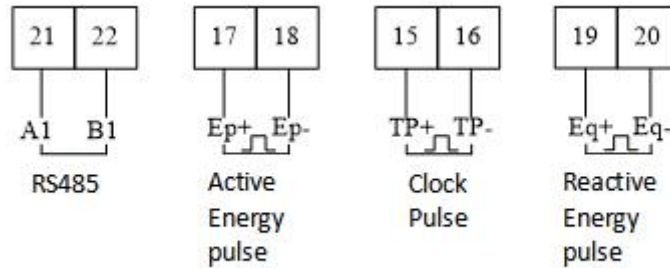


) LJ 7KUHSKDVHMHQCV &7

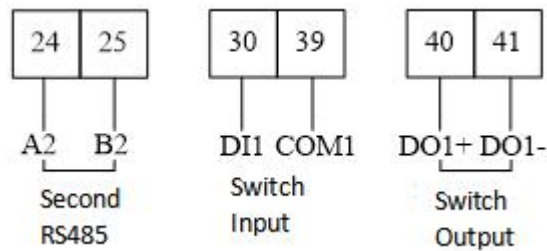


8Pó Kúšv } (šOEv() OE OE

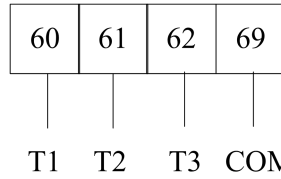
1 RM 7KHP HMRGRI ZLWQ LV LQXWRZ QZ DUG DGRMSWRZ QZ DUG  
6Z LVMKQJ LQXWRXSW1 7 & MP SHLDMHMP LQDY



) LJ &RP P XQFDWRQ SXO HFRQQ FWRQ



) LJ &RP P XQFDWRQ SXO HFRQQ FWRQ



&Pí î Kµšo ÇEd š u %œµœu •µœu vš

6Z LAFKQJ RASXWU/HD RASXWFDQDFKLYHWHUHP RMFRQURCDGDDUP RASXW  
 7KHVZ LAFK LGSXWDCSWWHHP HMRGR RQRRI VJQDLGSXWDCGSRZ HJGE RAXMUSRZ HUXSSO  
 ,VFDQEHJRWME P HMJZ K-QM-HUHV/DFKQJHRI RQRURI YDDVZ LAFKQJ LGSXVP RQX 7KH  
 SDUP HMURI VZ LAFKQJ LGSXWFDQGRVQD JHVDGGRKZ WHVDMRI ØFDQZ LAFKQJ LQRUP DNRQ  
 EXVDORDFKLYHWHFRP P XQFDNRQYLD56 Z KLFK FDQD<sup>3</sup>UP RMLQRUP DNRQ IXCFWRQ  
 1 RM DUHDFWYHHQJ\ SXOH DUH17& WP SHDXUHP HDXUP HQVSRUV  
 DUHDFNSXOH DUHDFWYHHQJ\ SXOH DUHVZ LAFK RASXWDCGP XQSDH  
 Z LK DUH SDKRI FRP P XQFDNRQ È DUHVZ LAFK LGSXWDCGP XQSDH Z LK

) XCFWRQGHVFLSWRQ

0 HDXUP HQW

7KHP HMUFDQP HDXUHDØHDFWFDOSDUP HMU/VXFK D/YRDUH FXUHQWDFWYHSRZ HU  
 UHDFWYHSRZ HUSSDUHQVSRZ HUSRZ HUIDFRUU I UHTXQFA W<sup>W</sup>KDUP RQF DGGVMDKUP RQF 7KH  
 YDØHIRUP DNR YRDUH FXUHQM UHTXQFA DGGSRZ HUUHQWAGDVEHØZ  
 ([DP SDH 8 9 È I +] , \$ È 3 N

& DØXDMQJ

7KHP HMUFDQFDØXDMWHFXUHQWDFWYHHQJ\ IRZ DUGDFWYHHQJ\ UYHVUQJ DFWYH  
 HQJ\ IRZ DUGUHFVYHHQJ\ DGGUHVUQJ UHDFWYHHQJ\

7 LP LQJ

7KHP HMUKD/ WP HQW DGGFDQEHGLYGHGLQAR WP H]RQV/SUA HDJ (DFK WP HQWFDQ  
 EHGLYGHGLQAR WP HSHURGV/DG VDUU) ã) ã) ã) 7KHP DLQXSURVHRI PXQVUUI LV  
 SURPRMWHHQJ\ HILFHQFA DGGFRQRP LF EHQH LW

' HP DQG

7KHUHDUHVPHGHILQWRQ/RQG-P DQG

' HP DQG	7KHDYHUIJHSRZ HULQVHG-P DQGF FØH
0 Q LP XP G-P DQG	7KHP Q LP XP YDØHRI G-P DQGLQDSHURGR WP H
6DS WP H	\$ UHFUHQFH P HMRG VR P HDXUHVH G-P DQG IURP DQ WP H SRLQ GXUQJ D SHURG VKRUMU VDCQ VWH G-P DQG SHURG 7KH G-P DQG PHDXUHG EA VLV PHDQ/LV FDCG VDCQJ G-P DQG 7KH UHFUHQFH WP HILVDCQJ ZLQGRZ WP H
' HP DQGF FØH	7KHWP HSHURGEHVV HQVVR VP HDYHUIJHYDØHRI G-P DQG

7KHGHDXVGH P DGGF FQHLV P LQXW VOSWP HILV P LQXW  
 7KHP HNUFDQPHDXUH NCG/RI P Q LP XP G-P DGG IRUZ DGGDFWYH UYHULQJ DFWYH  
 LGGFVDFHSHURUP DGFHUFDFWYH FDSDFVDFHSHURUP DGFHUFDFWYHP Q LP XP G-P DGG DGGVWYH  
 RFFXUMPH

+ LVRU GDV VDMVWV

7KHP HNUFDQUHFRUGDWW PRQV/RUDWW GD VKLVRU HGHU LQHDFKVDUI

6Z LVRKLOJ LGSXV DGG RXV SXW





7KHVZ LVRK LGSXV DGSWVWHP HMRGRI RQRRI VJQDQGSXV DGG SRZ HJGEI RXMUSRZ HUVSSO  
 , VFDQEHJRWQE P HNUZ KHQVHULVDFKQJHRI RQRRI YDDVZ LVRKLOJ LGSXV RXKH 7KH  
 SDUP HNURI VZ LVRKLOJ LGSXV DQGRVQD JHVDGGV KRZ VHVDMRI QFDOZ LVRKLOJ LQRUP DNRQ  
 EXVDOR DFKLHYHWHFRP P XQFDNRQ YLD56 Z KFK FDDG<sup>3</sup> UP RMLQRUP DNRQ IXQFNRQ

7HP SHUDXUHP HDXUP HQW

7KHP HNUXSSRUWVHSDMRI RXD 17 & WP SHUDXUHP HDXUP HQWVH DQJHRI  
 WP SHUDXUHV a




2 SHUDNRQ DQG GLVSD

. H IXQFNRQ GHV FUSNRQ

. H V PERO	. H QPH	) XQFNRQ
	0 HQX	( QMUTXVVP HQX
	9RQVH DGG FDXUHQVXS	&KHFNVHYRQVH DGG FDXUHQV / HVZ DGG DGG FDKQJHI QDK LQ SURJUDP LQJ PHQX
	3RZ HJGRZQ	&KHFNVHSRZ HJ 5 LJKVZ DGG DGG FDKQJHVHYDQHRQIQDK
	( QHJH HQMU	&KHFNVHHQJH ( QMULQ SURJUDP LQJ PHQX

' LVSD P HQX

7KHP HNUZ LQV KRZ VHIRUZ DGGDFWYH HGHU DVUSRZ HULQ 7KHFXVVP HVFDQFKDQJHVH  
 LQRUP DNRQ KRZ LQ EI SUHMLQ VHNH V 7KHP HQX GHV FUSNRQLV QVNGDVEHQZ

	9RQVH RQ\$ % & SKDV & XUHQV RQ\$ % & SKDV ) UHTXGFA ' DM 7LP H \$ GGUHV 9HULRQ 7HWVRQ GLVSD
	7RVDQDFWYHUFDFWYH DSSDUHQVSRZ HJ DGG RQ\$ % & SKDV 7RVDQSRZ HJ DFRUDQGG RQ\$ % & SKDV ) RUZ DGG UYHULQJ DFWYHUFDFWYHP Q LP XP G-P DGG
	7RVDIRUZ DGG UYHULQJ DFWYHUFDFWYH HGHU IRUZ DGG UYHULQJ DFWYHUFDFWYH VSNHSHDNIDVYDQ HGHU IRUZ DGGDFWYH HGHU RQ\$ % & SKDV

1 RM

\$ 0MHLVSD P HQVDERYHDUHLQVHP RG-RI \$' / ( ) VUHSKD/VIRXUQH/ZLVK  
 P XQVQULI UDMIXCFWRQDGGFDQEHFKDQJHGE VHNH V

7KHUHZ LQGRVEHSRZ HURUSRZ HUI DFRURQHDFK SKDVHDGGZ LQRCQ VKRZ VRDQSRZ HUDGG  
 SRZ HUI DFRU \$ FUYH UDFWYH DSSDUHQVXQGUMHVMUHSKD/HMUHQH/V

7KHUHZ LQGRVEHGDM WPH P D LP XP GP DGG DGGHQJ\ EA WPHZLVWRXVWHIXCFWRQR  
 P XQVQULI UDM



&XUHQWRZ DGGDFWYHQJ\ N K



&XUHQWYHVUQJ DFWYHQJ\ N K



&XUHQWRZ DGU DFWYHQJ\ N K



&XUHQWRZ DGGDFWYHVSNHQJ\ N K



&XUHQVRDQSRZ HULV N



&XUHQWRZ DGGDFWYHG-P DGGIV N



9R0WJHRQ\$ SKDVHLV 9



&.XUJHQVRQ\$ SKDVHLV \$



7HP SHUDMUHRQ7 LV FQVGHUHH



7HP SHUDMUHRQ7 LV FQVGHUHH



7HP SHUDMUHRQ7 LV FQVGHUHH

1 RM 7KHUHDUHSUJWRI WHGLSDX IXCFWRQ DQGRMHUP HQVDUHI DP LQDUZ LWKWHH DP SDIDERYH  
7KHFXWRP HVFDQXGGUWQGVWHP HDQJ UH HURVWHIDERYHH DP SDV

. H 0 HQX

3UHW **SET** DNDQ P DQPHQX DQGJHWQ<sup>3</sup>\$66' LQMUFDH DQGVWQSUHW **↶** VKRZ  
3 ' DQGHQMUWHFRGH ,I \RX HQMUJZURQJ FRGH LVZ LQVKRZ <sup>3</sup>IDO DQGEDFNWRP DQPHQX  
DQGL \RX HQMU D WKWFRGH \RX FDQ VHWWH SDUPHJU \$ IWHU VHWQJ WH SDUPHJU DQGL

SUHW **SET** LVZ LQVKRZ <sup>3</sup>VDYH DQGVDYHWHFRQJHEA SUHWQJ **↶** LQ<sup>3</sup>\HV LQMUFDH DQGL  
TXLVZ LWKWHHFRQJHEA SUHWQJ **↶** LQ<sup>3</sup>QR' LQMUFDH

' DNDVHWQJV

1 XP	) LUWMP HQX		6HFRQGP HQX			
	6\ PERO	0 HDQ	6\ PERO	0 HDQ	5 DQJH	
	%86	&RP P XQLFDM RQVHMQJV	\$' ' 5	\$ GGJHW/VHMQJ		
			%DXG	%DXGUDM	Ã Ã	Ã Ã
			3DUW	3DUW	1 RQÃ ( YHQ	
	6\6	6\ VMP VHMQJV	3/	1 HZ RUN	3 / SKDH QGH 3 / SKDH QGH	
			( ) (	0 XQVMDUUI UDM	( ) 0 XQVMDUUI UDM ( 1 RP XQVMDUUI UDM	
			&RGH	&RGH VHMQJ		
			/ ('	7LP HRI QKW		
	,Q	7UDQ/RUP HU VHMQJV	3W	9RQJH WQ/RUP HU		
			&W	&XUHQV WQ/RUP HU		

1 RM &XVMP HU/FDQFKRVH1 RQRUJ( YHQXQG-U0 RQEXVSURAFRO

### &RP P XQLFDMRQGHFUSMRQ

7KHP HMJDDSW0 2' %86 578 SURAFRO DQG VHMEDXGUDMFDQEHFKRVHQIURP ESVÃ  
ESVÃ ESVÃ ESVDQG ESV 7KHSUWLV1 RQH

7KHP HMJCHG/VKHCCHZLVING SQUFRQGFARU/VRFRQFV&XVMP HU/VKXGFRQGLHVMH  
ZKRQCHZ RUNV SQU P HMU/VFK QNHFRP P XQLFDMRQZ LUHVQJVK VHMGLUFWRQ FRP P XQLFDMRQ  
WQ/RUP HUDGGCHZ RUNFRYHUJQJH H7

1 RM

: LUQJ VKXGIRQZ VHZLUQJ UHTXUHP HQV

&RQFVDMHP HMUQVH56 QH/Z RUNHYHQVRPHGRQRVCHGVR FRP P XQLFDMRQ ZKLFK LV  
EHCHLWRUHUURJFKFNQJ DQGVMMQJ

8 VHZRFRQZ LUH/LQFRQFVQJ ZLUH/DQGDQMH\$ SRUVXVHMVDPHFRQJ

1 RQJHUMQJ PHMU/RI 56 EXVQJH

\$' ' 5 QW

0 2' %86 578 SURAFROKV + DQG + FRP P DQGV R UFDGDQZ UVMUHLVMU/USHFVYHD  
7KHIRQZLQJ FKUWV/UHLVMUJ DQGUHWQW

\$ GGJHW	9DUJEGH	/ HQVK	5 :	1 RMV
+	&XUHQVMDQFVYHFQJN		5	A š ŽVŽ dŽ X í ' DQÖ GDMUHGLO

+	&XUHQ/VSINHVRMDDFWYHQHJA		5	VHFRRP P XQJFDMRQ 3VÖ YRÖWJHUDNR &7Ö FXUHQ/VDMR 8 QWN K DFWYH NÖDUK UDFWYH 7KLVIRUP XÖLV DSSQFDEÖVR DÖ HÖFWIF HQHJA YÖÖHV
+	&XUHQ/SHDNVRMDDFWYHQHJA		5	
+	&XUHQ/VÖVRMDDFWYHQHJA		5	
+	&XUHQ/YÖÖI VRMDDFWYHQHJA		5	
\$+	&XUHQ/VRUZ D.GDFWYHVRMDDCHJA		5	
&+	&XUHQ/VRUZ D.GDFWYHVSINHCHJA		5	
( +	&XUHQ/VRUZ D.GDFWYHSHDNCHJA		5	
+	&XUHQ/VRUZ D.GDFWYHIÖWCHJA		5	
+	&XUHQ/VRUZ D.GDFWYHYÖÖI CHJA		5	
+	&XUHQ/VYHYXQJ DFWYHVRMDDCHJA		5	
+	&XUHQ/V UYHYXQJ DFWYH VSINH HQHJA		5	
+	&XUHQ/V UYHYXQJ \$ FWYH SHDN HQHJA		5	
\$+	&XUHQ/VYHYXQJ DFWYHIÖWCHJA		5	
&+	&XUHQ/V UYHYXQJ \$ FWYH YÖÖI HQHJA		5	
( +	&XUHQ/VRMDDHDFWYHQHJA		5	
+	&XUHQ/VRMDDHDFWYHVSINHCHJA		5	
+	&XUHQ/VRMDDHDFWYHSHDNCHJA		5	
+	&XUHQ/VRMDDHDFWYHIÖWCHJA		5	
+	&XUHQ/VRMDDHDFWYHYÖÖI CHJA		5	
+	&XUHQ/V IRUZ D.G UDFWYH VRMDD HQHJA		5	
\$+	&XUHQ/V IRUZ D.G UDFWYH VSINH HQHJA		5	

&+	&XUHQW IRZDUG UHFWYH SHDN HQJ\		5	
( +	&XUHQWRUZDUGUHFWYHIOWHQJ\		5	
+	&XUHQW IRZDUG UHFWYH YDQ\ HQJ\		5	
+	&XUHQW UYHXLQJ UHFWYH VRDQ HQJ\		5	
+	&XUHQW UYHXLQJ UHFWYH VSNH HQJ\		5	
+	&XUHQW UYHXLQJ UHFWYH SHDN HQJ\		5	
+	&XUHQW UYHXLQJ UHFWYH IOW HQJ\		5	
\$+	&XUHQW UYHXLQJ UHFWYH YDQ\ HQJ\		5	
&+	7LP H VFRQG P LQXM		5 :	
' +	7LP H KRUG		5 :	
( +	7LP H PRQ \ HDU		5 :	
) + KLJKE VM	) LUWFRP P XQFDNRQSDMÖ \$ GGJHW		5 :	
) + ØZ E VM	) LUWFRP P XQFDNRQSDMÖ%DXGUDM		5 :	Ö SEV Ö SEV Ö SEV Ö SEV
+	3XOHFRQMDQW		5	
+	7LP H VDEH QP EHU RI VMHILUWMP H JRQH 7LP HJRQH WDUWEDM GD		5 :	
+	7LP HJRQH WDUWEDM PRQK 7LP H VDEH QP EHU RI VMH VFRQG WPHJRQH		5 :	7LP H VDEH1 R VMHILUWMP H VDEH
+	7LP HJRQH WDUWEDM GD 7LP HJRQH WDUWEDM PRQK		5 :	VMH VFRQGWPH VDEH
+	7LP H VDEH QP EHU RI VMHVLG WPH JRQH 7LP HJRQH WDUWEDM GD		5 :	
+	7LP HJRQH WDUWEDM PRQK 7LP H VDEH QP EHU RI VMH IRXUK		5 :	



	WP HJ RQH				
+	7LP HJ RQH VDUVWEDM GD 7LP HJ RQH VDUVWEDM P RQW		5 :		
+	5 DMCR RI SHJRG 6VDUVRI SHJRG P LQXM		5 :	7KHILWVWPHQW 5DM1R VKLS SHDN IDW 9DQ QRUDM	
+	6VDUVRI SHJRG KR XU 5 DMCR RI SHJRG		5 :		
+	6VDUVRI SHJRG P LQXM 6VDUVRI SHJRG KR XU		5 :		
\$+	5 DMCR RI SHJRG 6VDUVRI SHJRG P LQXM		5 :		
%+	6VDUVRI SHJRG KR XU 5 DMCR RI SHJRG		5 :		
&+	6VDUVRI SHJRG P LQXM 6VDUVRI SHJRG KR XU		5 :		
' +	5 DMCR RI SHJRG 6VDUVRI SHJRG P LQXM		5 :		
( +	6VDUVRI SHJRG KR XU 5 DMCR RI SHJRG		5 :		
) +	6VDUVRI SHJRG P LQXM 6VDUVRI SHJRG KR XU		5 :		
+	5 DMCR RI SHJRG 6VDUVRI SHJRG P LQXM		5 :		
+	6VDUVRI SHJRG KR XU 5 DMCR RI SHJRG		5 :		
+	6VDUVRI SHJRG P LQXM 6VDUVRI SHJRG KR XU		5 :		
+	5 DMCR RI SHJRG 6VDUVRI SHJRG P LQXM		5 :		7KHVFRQVWPHQW 5DM1R VKLS SHDN IDW 9DQ QRUDM
+	6VDUVRI SHJRG KR XU 5 DMCR RI SHJRG		5 :		
+	6VDUVRI SHJRG P LQXM 6VDUVRI SHJRG KR XU		5 :		
+	5 DMCR RI SHJRG 6VDUVRI SHJRG P LQXM		5 :		
+	6VDUVRI SHJRG KR XU 5 DMCR RI SHJRG		5 :		
+	6VDUVRI SHJRG P LQXM 6VDUVRI SHJRG KR XU		5 :		
+	5 DMCR RI SHJRG 6VDUVRI SHJRG P LQXM		5 :		
+	6VDUVRI SHJRG KR XU 5 DMCR RI SHJRG		5 :		

\$+	6VUVRI SHURG KRXU 5 DMQR RI SHURG		5 :	
%+	6VUVRI SHURG P LQXM 6VUVRI SHURG KRXU		5 :	
&+	5 DMQR RI SHURG 6VUVRI SHURG P LQXM		5 :	
' +	6VUVRI SHURG KRXU 5 DMQR RI SHURG		5 :	
( +	6VUVRI SHURG P LQXM 6VUVRI SHURG KRXU		5 :	
) +	5 DMQR RI SHURG 6VUVRI SHURG P LQXM		5 :	
+	6VUVRI SHURG KRXU		5 :	
+	9ROUJRI \$ SKDH		5	hA š ŽVŽI X 8 QVØ
+	9ROUJRI %SKDH		5	
+	9ROUJRI & SKDH		5	
+	&XUHQRI \$ SKDH		5	/A š Ž dŽI Xi 8 QV\$
+	&XUHQRI %SKDH		5	
+	&XUHQRI & SKDH		5	
+	5 HUYH			
+	) UHTX-QF		5	&A š ŽI Xi 8 QV+ ]
+	9ROUHEHŽHQ\$ %		5	hA š ŽVŽI X 8 QVØ
+	9ROUHEHŽHQ& %		5	
\$+	9ROUHEHŽHQ\$ &		5	
%+	) RIZ DUGDFWHPQ LP XP G-P DGG		5	. HS G-FP DO SOFHVRUMH PQ LP XP G-P DGG
&+	7IP HRI RFXUHQFH P LQXMKRXU		5	
' +	7IP HRI RFXUHQFH GD PRQM		5	

( +	5 HYHVLQJ DFVYHP QJ LP XP GHP DGG		5	
) +	7LP HRI RFFXUHQFH P LQXMKRXU		5	
+	7LP HRI RFFXUHQFH GD P RQK		5	
+	0 QJ LP XP IRUZ DUG GHP DGG IRU UHFVYHSRZ HU		5	
+	7LP HRI RFFXUHQFH P LQXMKRXU		5	
+	7LP HRI RFFXUHQFH GD P RQK		5	
+	0 QJ LP XP UHYHVLQJ GHP DGG IRU UHFVYHSRZ HU		5	
+	7LP HRI RFFXUHQFH P LQXMKRXU		5	
+	7LP HRI RFFXUHQFH GD P RQK		5	
+	) RIZ DUGDFVYHHQJ\ RI \$ SKDV		5	
+	) RIZ DUGDFVYHHQJ\ RI %SKDV		5	
%+	) RIZ DUGDFVYHHQJ\ RI & SKDV		5	
' +	9RQJHWQJHU37		5 :	
( +	&XUHQWQJHU&7		5 :	
) +	6VDM RI ' , ' 2 RYUYRQJH QW YRQJH		5	
+	5 HVLYH		5	
+ KJKE\ VM	5 XQQQJ VDM		5 :	
+ QZ E\ VM	5 XQQQJ VDM		5 :	
+	=HUR VHTXHQFHFXUHQW		5	
+	9RQJHLP EDDGFH		5	XQLW
+	&XUHQW EDDGFH		5	
+	) LUWFRP P XQFDVRSKÖ		5 :	VVMQJ E\ WÖ

	7HMQJ E\WÄ + LJK E\WÄ 6VSE E\WÄ / RZ E\WÄ			Ö QRCH Ö HYHQ VRS E\WÖ VRS E\W VRS E\WV
+	6HRCGFRP P XQFDNRQSDKÖ \$ GGUHÄ + LJK E\WÄ %DXGUDÄ / RZ E\WÄ		5 :	6DP HDV\WHILUW FRP P XQFDNRQ SDK
+	6HRCGFRP P XQFDNRQSDKÖ 7HMQJ E\WÄ + LJK E\WÄ 6VSE E\WÄ / RZ E\WÄ		5 :	6DP HDV\WHILUW FRP P XQFDNRQ SDK
+ % +	5HLYHG			
% +	5DMCR RI SHURG 6VUVRI SHURG P LQXM		5 :	7KHI LUW\MP HQW 5DM1 R VKUS SHN IQW 9DQ QRUDM
% +	6VUVRI SHURG KRXU 5DMCR RI SHURG		5 :	
% +	6VUVRI SHURG P LQXM 6VUVRI SHURG KRXU		5 :	
% +	5DMCR RI SHURG 6VUVRI SHURG P LQXM		5 :	
% +	6VUVRI SHURG KRXU 5DMCR RI SHURG		5 :	
% +	6VUVRI SHURG P LQXM 6VUVRI SHURG KRXU		5 :	
% +	5DMCR RI SHURG 6VUVRI SHURG P LQXM		5 :	
% +	6VUVRI SHURG KRXU 5DMCR RI SHURG		5 :	
%% +	6VUVRI SHURG P LQXM 6VUVRI SHURG KRXU		5 :	
%%+	5DMCR RI SHURG 6VUVRI SHURG P LQXM		5 :	
%%+	6VUVRI SHURG KRXU 5DMCR RI SHURG		5 :	
% +	6VUVRI SHURG P LQXM 6VUVRI SHURG KRXU		5 :	
% +	5DMCR RI SHURG 6VUVRI SHURG P LQXM		5 :	
% +	6VUVRI SHURG KRXU 5DMCR RI SHURG		5 :	
& +	6VUVRI SHURG P LQXM 6VUVRI SHURG KRXU		5 :	

& +	5 DMQR RI SHURG 6VUWRI SHURG P LQXW		5 :	
& +	6VUWRI SHURG KRXU 5 DMQR RI SHURG		5 :	
& +	6VUWRI SHURG P LQXW 6VUWRI SHURG KRXU		5 :	
& + +	5 HMYHG			
+	\$ FMYHSRZ HUR \$ SKDV		5	WYA š ŽVŽ dŽi X iii 8 QW : DFMYH NØ DUJDFMYH NØ\$ DSSUHQV \$ FMYHSRZ HUDQG UJDFMYHSRZ HUDJH VJQG GGD SØDV VHWP DV VJQG YUJDEQV
+	\$ FMYHSRZ HUR %SKDV		5	
+	\$ FMYHSRZ HUR & SKDV		5	
\$+	7RØDFMYHSRZ HU		5	
&+	5 HJFMYHSRZ HUR \$ SKDV		5	
( +	5 HJFMYHSRZ HUR %SKDV		5	
+	5 HJFMYHSRZ HUR & SKDV		5	
+	7RØDUJDFMYHSRZ HU		5	
+	\$ SSUHQVSRZ HUR \$ SKDV		5	
+	\$ SSUHQVSRZ HUR E SKDV		5	
+	\$ SSUHQVSRZ HUR F SKDV		5	
\$+	7RØDSSUHQVSRZ HU		5	
&+	3RZ HUI DFVRU \$ SKDV		5	
' +	3RZ HUI DFVRU %SKDV		5	
( +	3RZ HUI DFVRU & SKDV		5	
) +	7RØDSRZ HUI DFVRU		5	
+	0 Q LP XP IRZ DUG DFMYH G-P DQG D GD		5	. H-S VUJHG-FLP DO SØFH

+	2 FFXUMP HP LQXMKRXU		5
+	0 Q LP XP UYHULQJ DFVYH G-P DGG DGD		5
+	2 FFXUMP HP LQXMKRXU		5
+	0 Q LP XP IRUZ DUG UHDFVYH G-P DGG DGD		5
+	2 FFXUMP HP LQXMKRXU		5
+	0 Q LP XP UYHULQJ UHDFVYH G-P DGG DGD		5
+	2 FFXUMP HP LQXMKRXU		5
+	0 Q LP XP IRUZ DUG DFVYH G-P DGG DWD		5
+	2 FFXUMP HP LQXMKRXU		5
\$+	0 Q LP XP UYHULQJ DFVYH G-P DGG DWD		5
%+	2 FFXUMP HP LQXMKRXU		5
&+	0 Q LP XP IRUZ DUG UHDFVYH G-P DGG DWD		5
' +	2 FFXUMP HP LQXMKRXU		5
( +	0 Q LP XP UYHULQJ UHDFVYH G-P DGG DWD		5
) +	2 FFXUMP HP LQXMKRXU		5
+	0 Q LP XP IRUZ DUG DFVYH G-P DGG DWD V		5
+	2 FFXUMP HP LQXMKRXU		5
+	0 Q LP XP UYHULQJ DFVYH G-P DGG DWD V		5
+	2 FFXUMP HP LQXMKRXU		5
+	0 Q LP XP IRUZ DUG UHDFVYH G-P DGG DWD V		5
+	2 FFXUMP HP LQXMKRXU		5

+	0 Q LP XP UYHXLQJ UHDFVYH G-P DQG QWV GD V		5	
+	2 FFXUMP HP LQXMKRXU		5	
+	&XUHQWRLZ DLGDFVYHG-P DQG		5	
+	&XUHQWYHXLQJ DFVYHG-P DQG		5	
\$+	&XUHQWRLZ DLGUHDFVYHG-P DQG		5	
%+	&XUHQWYHXLQJ UHDFVYHG-P DQG		5	
%+ ) +	5 HMLYHG			
+	0 Q LP XP YRQWHRQ\$ SKDVH		5	
+	2 FFXUMP HP RQK GD		5	
+	2 FFXUMP HKRXUP LQXV		5	
+	0 Q LP XP YRQWH RQ % SKDVH DQG RFFXUMP H		5	
+	0 Q LP XP YRQWH RQ & SKDVH DQG RFFXUMP H		5	
+	0 Q LP XP FXUHQWRQ \$ SKDVH DQG RFFXUMP H		5	
&+	0 Q LP XP FXUHQWRQ % SKDVH DQG RFFXUMP H		5	
) +	0 Q LP XP FXUHQWRQ & SKDVH DQG RFFXUMP H		5	
+	0 Q LP XP DFVYHSRZ HURQ\$ SKDVH		5	
+	2 FFXUMP HP RQK GD		5	
+	2 FFXUMP HKRXUP LQXV		5	
+	0 Q LP XP DFVYHSRZ HURQ % SKDVH DQGRFFXUMP H		5	
\$+	0 Q LP XP DFVYHSRZ HURQ & SKDVH DQGRFFXUMP H		5	
( +	0 Q LP XP VMDO DFVYH SRZ HU DQG RFFXUMP H		5	
+	0 Q LP XP UHDFVYH SRZ HU RQ \$ SKDVHDQGRFFXUMP H		5	
+	0 Q LP XP UHDFVYH SRZ HU RQ % SKDVHDQGRFFXUMP H		5	
\$+	0 Q LP XP UHDFVYH SRZ HU RQ & SKDVHDQGRFFXUMP H		5	
( +	0 Q LP XP VMDOUHDFVYH SRZ HU DQG		5	

	RFFXUMP H		
+	0 Q LP XP DSSDUHQV SRZ HU RQ \$ SKDVHDQGRFFXUMP H		5
+	0 Q LP XP DSSDUHQV SRZ HU RQ % SKDVHDQGRFFXUMP H		5
\$+	0 Q LP XP DSSDUHQV SRZ HU RQ & SKDVHDQGRFFXUMP H		5
( +	0 Q LP XP VMDQDSSDUHQVSRZ HUDQG RFFXUMP H		5
+	0 LQP XP YRQDWH RQ \$ SKDVHDQGRFFXUMP H		5
+	0 LQP XP YRQDWH RQ % SKDVHDQGRFFXUMP H		5
+	0 LQP XP YRQDWH RQ & SKDVHDQGRFFXUMP H		5
%+	0 LQP XP FXUHQVVRQ \$ SKDVHDQGRFFXUMP H		5
( +	0 LQP XP FXUHQVVRQ % SKDVHDQGRFFXUMP H		5
+	0 LQP XP FXUHQVVRQ & SKDVHDQGRFFXUMP H		5
+	0 LQP XP DFWYH SRZ HURQ \$ SKDVHDQGRFFXUMP H		5
+	0 LQP XP DFWYH SRZ HURQ % SKDVHDQGRFFXUMP H		5
&+	0 LQP XP DFWYH SRZ HURQ & SKDVHDQGRFFXUMP H		5
+	0 LQP XP DFWYH SRZ HU DQG RFFXUMP H		5
+	0 LQP XP UDFWYH SRZ HURQ \$ SKDVHDQGRFFXUMP H		5
+	0 LQP XP UDFWYH SRZ HU RQ % SKDVHDQGRFFXUMP H		5
&+	0 LQP XP UDFWYH SRZ HU RQ & SKDVHDQGRFFXUMP H		5
+	0 LQP XP UDFWYH SRZ HUDQG RFFXUMP H		5
+	0 LQP XP DSSDUHQV SRZ HU RQ \$ SKDVHDQGRFFXUMP H		5
+	0 LQP XP DSSDUHQV SRZ HU RQ % SKDVHDQGRFFXUMP H		5
( +	0 LQP XP DSSDUHQV SRZ HU RQ &		5



	SKDVHDGGRFFXUWP H			
+	0 LQP XP DSSDUHQVSRZ HUDGGRFFXU WPH		5	
+ ) +	5 HMLYH			
+	5 DMCR RI SHURG 6VUWRI SHURG P LQXM		5 :	7KHVLLGWP HOW 5DM1 R VKUS SHN LOW 9DOL QRUDWV
+	6VUWRI SHURG KRXU 5 DMCR RI SHURG		5 :	
+	6VUWRI SHURG P LQXM 6VUWRI SHURG KRXU		5 :	
+	5 DMCR RI SHURG 6VUWRI SHURG P LQXM		5 :	
+	6VUWRI SHURG KRXU 5 DMCR RI SHURG		5 :	
+	6VUWRI SHURG P LQXM 6VUWRI SHURG KRXU		5 :	
+	5 DMCR RI SHURG 6VUWRI SHURG P LQXM		5 :	
+	6VUWRI SHURG KRXU 5 DMCR RI SHURG		5 :	
+	6VUWRI SHURG P LQXM 6VUWRI SHURG KRXU		5 :	
+	5 DMCR RI SHURG 6VUWRI SHURG P LQXM		5 :	
\$+	6VUWRI SHURG KRXU 5 DMCR RI SHURG		5 :	
%+	6VUWRI SHURG P LQXM 6VUWRI SHURG KRXU		5 :	
&+	5 DMCR RI SHURG 6VUWRI SHURG P LQXM		5 :	
' +	6VUWRI SHURG KRXU 5 DMCR RI SHURG		5 :	
( +	6VUWRI SHURG P LQXM 6VUWRI SHURG KRXU		5 :	
) +	5 DMCR RI SHURG 6VUWRI SHURG P LQXM		5 :	
+	6VUWRI SHURG KRXU 5 DMCR RI SHURG		5 :	
+	6VUWRI SHURG P LQXM 6VUWRI SHURG KRXU		5 :	
+	5 DMCR RI SHURG 6VUWRI SHURG P LQXM		5 :	

+	6VUWRI SHURG KRXU 5 DMCR RI SHURG		5 :	
+	6VUWRI SHURG P LQXM 6VUWRI SHURG KRXU		5 :	
+	5 DMCR RI SHURG 6VUWRI SHURG P LQXM		5 :	
+	6VUWRI SHURG KRXU 5 DMCR RI SHURG		5 :	
+	6VUWRI SHURG P LQXM 6VUWRI SHURG KRXU		5 :	
+	5 DMCR RI SHURG 6VUWRI SHURG P LQXM		5 :	
+	6VUWRI SHURG KRXU 5 DMCR RI SHURG		5 :	
\$+	6VUWRI SHURG P LQXM 6VUWRI SHURG KRXU		5 :	
%+	5 DMCR RI SHURG 6VUWRI SHURG P LQXM		5 :	
&+	6VUWRI SHURG KRXU 5 DMCR RI SHURG		5 :	
' +	6VUWRI SHURG P LQXM 6VUWRI SHURG KRXU		5 :	7KH IRXU WPHOW
( +	5 DMCR RI SHURG 6VUWRI SHURG P LQXM		5 :	5 DM1 R
) +	6VUWRI SHURG KRXU 5 DMCR RI SHURG		5 :	VKLS
+	6VUWRI SHURG P LQXM 6VUWRI SHURG KRXU		5 :	SHN
+	5 DMCR RI SHURG 6VUWRI SHURG P LQXM		5 :	LOW
+	6VUWRI SHURG KRXU 5 DMCR RI SHURG		5 :	9001
+	6VUWRI SHURG P LQXM 6VUWRI SHURG KRXU		5 :	QRUDWV
+	5 DMCR RI SHURG 6VUWRI SHURG P LQXM		5 :	
+	6VUWRI SHURG KRXU 5 DMCR RI SHURG		5 :	
+	6VUWRI SHURG P LQXM 6VUWRI SHURG KRXU		5 :	
+	5 DMCR RI SHURG 6VUWRI SHURG P LQXM		5 :	
+	6VUWRI SHURG KRXU 5 DMCR RI SHURG		5 :	
+	6VUWRI SHURG P LQXM 6VUWRI SHURG KRXU		5 :	
+	5 DMCR RI SHURG 6VUWRI SHURG P LQXM		5 :	
+	6VUWRI SHURG KRXU 5 DMCR RI SHURG		5 :	

+	6VUVRI SHURG PLOXM 6VUVRI SHURG KRXU		5 :
\$+ )))+	5HFLYH		
+	7 WP SHUDMUH		5
+	7 WP SHUDMUH		5
+	7 WP SHUDMUH		5

+ LVVRLU HQHJ\ IURJ HQWP HDQGKLVVRLU HQHJ\ HQHJ\ GDM

\$' / ( ) I\UHLVXUV/RQIURJ HQE\ G\ DQGE\ PRQK

\$ GGUHW	1 DPH	5 :	1 RM
+	) URJ HQWP HE\ G\	5 :	1 X\ + LJK E\ VM + RXU/ RZ E\ VM
+	) URJ HQWP HE\ PRQK	5 :	' D\ + LJK E\ VM + RXU/ RZ E\ VM

\$' / ( ) FDQDFKLHYHVMHKLVVRLU HQHJ\ V\W\W\FLQ\W\ PRQK\DQGD\W\ G\ V ( DFK  
V\U\I UDMRI HQHJ\ FDQEHUFRUGG 7KHKLXVRLU HQHJ\ UFRUGFDQRQD EHUFDGE\ DMPE\W\H  
DQGV\H\Q\W\K\RI ZKR\IS\U\W\ E\ VM UHLVXUV\ DQGD\W\E\H\Q\Z LV\W\H\UHLVXUV\I\Q\DP\H

\$ GGUHW	1 DPH	' D\Q\W\	1 DPH
+	\$ WPE\W\HRI \W\W\ PRQK G\P\DQGDQGHQHJ\	+	) URJ HQWP H << 0 0
+	\$ WPE\W\HRI \W\W\ PRQK\ G\P\DQGDQGHQHJ\	+	) URJ HQWP H ' ' KK
«	«	+	7 R\Q\I RZ D\G\DF\W\Y\H\H\Q\HJ\
+	\$ WPE\W\HRI \W\W\ PRQK\ G\P\DQGDQGHQHJ\	+	6 S\N\H\I RZ D\G\DF\W\Y\H\H\Q\HJ\
+	\$ WPE\W\HRI \W\W\ G\ G\P\DQG DQGHQHJ\	+	3 H\N\I RZ D\G\DF\W\Y\H\H\Q\HJ\
+	\$ WPE\W\HRI \W\W\ G\ V\G\P\DQG DQGHQHJ\	+	) \W\R\Z D\G\DF\W\Y\H\H\Q\HJ\
«	«	\$+	9 D\Q\I RZ D\G\DF\W\Y\H\H\Q\HJ\
\$+	\$ WPE\W\HRI \W\W\ G\ V\G\P\DQG DQGHQHJ\	&+	7 R\Q\U\Y\H\U\Q\J\ D\F\W\Y\H\H\Q\HJ\
		( +	6 S\N\H\U\Y\H\U\Q\J\ D\F\W\Y\H\H\Q\HJ\
		+	3 H\N\U\Y\H\U\Q\J\ D\F\W\Y\H\H\Q\HJ\
		+	) \W\Y\H\U\Q\J\ D\F\W\Y\H\H\Q\HJ\
		+	9 D\Q\I U\Y\H\U\Q\J\ D\F\W\Y\H H\Q\HJ\
		+	7 R\Q\I RZ D\G\U\DF\W\Y\H\H\Q\HJ\
		+	6 S\N\H\I RZ D\G\U\DF\W\Y\H H\Q\HJ\
		\$+	3 H\N\I RZ D\G\U\DF\W\Y\H\H\Q\HJ\
		&+	) \W\R\Z D\G\U\DF\W\Y\H\H\Q\HJ\
		( +	9 D\Q\I I RZ D\G\U\DF\W\Y\H

	HQJ\
+	7RDCUHYH\QJ UDFWYH HQJ\
+	6SINHUYH\QJ UDFWYH HQJ\
+	3HDNUYH\QJ UDFWYH HQJ\
+	) QWYHYH\QJ UDFWYH HQJ\
+	9 DDA UHYH\QJ UDFWYH HQJ\
\$+	\$ FWHHQJ\ RQ\$ SKDH
&+	\$ FWHHQJ\ RQ%SKDH
( +	\$ FWHHQJ\ RQ& SKDH
+	0 Q LP XP IRZ DGDWYH G-P DGG
+	2 FFXUMPH PP KK
+	2 FFXUMPH ' ' 0 0
+	0 Q LP XP UHYH\QJ DFWYH G-P DGG
+	2 FFXUMPH PP KK
+	2 FFXUMPH ' ' 0 0
+	0 Q LP XP IRZ DGUHFWYH G-P DGG
+	2 FFXUMPH PP KK
+	2 FFXUMPH ' ' 0 0
+	0 Q LP XP UHYH\QJ UDFWYH G-P DGG
\$+	2 FFXUMPH PP KK
%+	2 FFXUMPH ' ' 0 0

6XE KDUP RQLF GDW

\$' / (+ KDVIXQFWRQRI KDUP RQLF 7KHIXQFWRQLQFOIGH W<sup>W</sup>KDUP RQLF WDWVWVRI  
YRQWHDGGFXUHQWKDUP RQLF YRQWHDGGFXUHQVRI HFK SKDVHDSSDUHQW KDUP RQLF  
DFWYHUHDFWYHSRZ HURI HFK SKDVHDSSDUHQW IXQGGP HQWYRQWHDGGFXUHQVRI HFK SKDVH  
DSSDUHQW DGGIXQGGP HQWDFWYHUHDFWYHSRZ HURI HFK SKDVHDSSDUHQW

\$ GGU	1 DPH	/ HQW	5 :	1 RM
' ' +	7+' 8 D		5	7RDCUHYH\QJ UDFWYH YRQWHDGGFXUHQVRI HFK SKDVH ,QV . H-S G-F-LP D-D-S-D-H-V
' (+	7+' 8 E		5	
' )+	7+' 8 F		5	
( +	7+' ,D		5	
( +	7+' ,E		5	
( +	7+' ,F		5	

( +	7+8 D	h		+ DUP RQLF YRQWJHRQ
+	7+8 E	h		GG W
) +	7+8 F	h		,QV
' +	7+,D	h		. HS G-FLP DCSDFHV
%+	7+,E	h		+ DUP RQLF FXUHQ/RQ
+	7+,F	h		GG W
+	) XGEP HQDDYRQWJHRQ\$ SKDH			,QV
+	) XGEP HQDDYRQWJHRQ%SKDH			. HS G-FLP DCSDFHV
+	) XGEP HQDDYRQWJHRQ& SKDH			
\$ +	+ DUP RQLF YRQWJHRQ\$ SKDH			,QV
%+	+ DUP RQLF YRQWJHRQ%SKDH			. HS G-FLP DCSDFHV
&+	+ DUP RQLF YRQWJHRQ& SKDH			
' +	) XGEP HQDDFXUHQ/RQ\$ SKDH			,QV
( +	) XGEP HQDDFXUHQ/RQ%SKDH			. HS G-FLP DCSDFHV
) +	) XGEP HQDDFXUHQ/RQ& SKDH			
\$ +	+ DUP RQLF FXUHQ/RQ\$ SKDH			,QV
\$ +	+ DUP RQLF FXUHQ/RQ%SKDH			. HS G-FLP DCSDFHV
\$ +	+ DUP RQLF FXUHQ/RQ& SKDH			
\$ +	) XGEP HQDDFWYHSRZ HURQ\$ SKDH			,QV
\$ +	) XGEP HQDDFWYHSRZ HURQ% SKDH			. HS G-FLP DCSDFHV
\$ +	) XGEP HQDDFWYHSRZ HURQ& SKDH			
\$ +	7 RMD XGEP HQDDFWYHSRZ HU			
\$ +	) XGEP HQDDUHFYHSRZ HURQ\$ SKDH			,QV
\$ +	) XGEP HQDDUHFYHSRZ HURQ% SKDH			. HS G-FLP DCSDFHV
\$ +	) XGEP HQDDUHFYHSRZ HURQ& SKDH			
\$ \$ +	7 RMD XGEP HQDDUHFYHSRZ HU			
\$ %+	+ DUP RQLF DFYHSRZ HURQ\$ SKDH			
\$ &+	+ DUP RQLF DFYHSRZ HURQ%SKDH			
\$ ' +	+ DUP RQLF DFYHSRZ HURQ& SKDH			
\$ ( +	7 RMD DUP RQLF DFYHSRZ HU			
\$ ) +	+ DUP RQLF UHFYHSRZ HURQ\$ SKDH			
% +	+ DUP RQLF UHFYHSRZ HURQ% SKDH			
% +	+ DUP RQLF UHFYHSRZ HURQ&			

	SKDH		
% +	7RDKDUP RQF UDFWHSRZ HU		

62 ( UFRUG

\$ GUHW	1 DPH	' DDDW	1 DPH
+	/ DWYHQ/UFRUG	+	2 FFXUGDM << 0 0
+	/ DW HYQ/UFRUG	+	2 FFXUMP H ' ' KK
«	«	+	2 FFXUMP H P P W
+	/ DW HYQ/UFRUG	+	( YHQ/QP EU
		+	( YHQ/GHLY
		+	5 HHLUH

( YHQ/QP	1 DPH	' HLY	1 RM
	3RZ HURQRI		
	&@DJ		&@DFXUHQ/VQJJA
			&@DUKLRUJ HGHJA RQ ) @K
			&@DUP QJ LP XP GP DQG
			&@DUKLRUJ HGHJA
			&@DUP QJ LP XP YD@HRQD SHURG
			&@DURXW
	' 2 DWRQ		' 2 RI
			' 2 RQ
	8, UFRUG	8,	%@W 2 YHUYR@JHRQ\$ SKDH %@W 2 YHUYR@JHRQ%SKDH %@W x 2 YHUYR@JHRQ& SKDH %@W / RHYR@JHRQ\$ SKDH %@W / RHYR@JHRQ%SKDH %@W / RHYR@JHRQ& SKDH %@W 5 HHLUQJ RQ\$ SKDH %@W 5 HHLUQJ RQ%SKDH %@W 5 HHLUQJ RQ& SKDH %@W

			2 YHUFXUHQ/RQ\$ SKD/H %\W 2 YHUFXUHQ/RQ%SKD/H %\W 2 YHUFXUHQ/RQ& SKD/H %\W / RZ FXUHQ/RQ\$ SKD/H %\W / RZ FXUHQ/RQ%SKD/H %\W / RZ FXUHQ/RQ& SKD/H
	7LP HFDEUD/RQ		

( [ DP SDI 7KH DGGUHWLV D/SUHQV DGGZ HVHQGMHFRGH  
 % VRJHWKH DWHYHQV FRIG DGGWHV DYHWDRQZ LQJLYHEDFN &\_\_\_\_  
 \$ \_\_\_\_ Ä \_\_\_\_ Ä SRZHUÄ \_\_\_\_ Ä GRGHQÄ \_\_\_\_ Ä UHLYHÄ

