



\$' / (< \$' / (<

, QMDDWRQDQGRSHUDWRQLQWKFWRQ9

\$&5(/ &R / W

' HFOUH

7KHFRS\ULK\W\WHSURSHUWR\RI\\$\FUH\\$Q\LQRUP\DNRQLQDQ
SDUDJDSKRUM\FWRQFDQRWEH\H\WDFMG\FRS\HGURUM\HZ\LHU\SURGXFHG
RUSURSDJDAG 2\W\HZ\LHRI\HGHU\VKDQ\NDHDOFRQ\HTX\HGHV
\$\OULKWDUHUHUHYHG

\$(FUHUHUHY\W\HULKWRP\RGI\WHSURGXFW\S\FILFDNRQ\KHUHQ
Z\W\RX\QRW\FEDNRQ 30\DHFRQ\XOM\HGFDDJHQ\DERX\W\H\DMW
V\FILFDNRQ\EHRUHSDFLQ\DSXUFK\DHRLGHU

&RQMQW

* HQHDO

3URGXFWVSHFLI LFDWLRQ

ODLQ I XQFVLRQ

7HFKQLFDO SDUDPHWU

2XWLOQH DQG ZLULQJ 8QLW PP

: LULQJ DQG LQWDOOLQJ

' LVSOD DQG RSHUDWLRQ

&RPPXQLFDWLRQ GHMFULSWLRQ

* HQUDO

\$' / (< VLOJØI SKDVH SUHSDLG P HMV/ Z LW LQAR FROURO \$' / (< WUHH SKDVH
 SUHSDLG P HMV/ Z LW LQAR FROURO DUH XHGI RUFDO XDMQJ VHV LQJ ØI DGG WUHH SKDVH DFVYH HCHJ
 UHSHFVYH Ø RQ VHI UHTXHF RI +] 7KHP HMUKDV IXCFVNRQ/RI SUHSDLG ØDG FROUROQJ DGG
 56 FRPP XQFDMRQ HAV P HVVH UHDMG WFKQFDOUHTXUHP HQV RI HØFVNRQF SRZ HUP HMULQ
 VHV, (& , (& WØGØDUGV

3URGXFWVSHFLIFDMRQ

7\SH	\$ FFXUFA FØW	5HHUØFH YRODUH Ä 9 Å	&XUHQW Ä \$ Å	3XØH FROUROQJ Ä IPSN KÅ
\$' / (<		9	Ä Å \$	
\$' / (<	V	h 9	h Ä Å \$	
			h Ä Å \$	

Ø DLQI XCFVNRQ

) XCFVNRQ ØP H	\$' / (<) XCFVNRQ SURVGH
Ø HDXUHP HQV RI N K	7RØØDFVYH HCHJ\ N K SRVYH DGG CHJ DMYH LQVMDØ		v
Ø HDXUHP HQV RI HØFVNRQ SDUP HMV	8 Ä , Ä 3Ä 4Ä 6Ä 3) Ä)		v
3UHSDLG PRGH	7KURXJK 56 FRPP XQFDMRQ SUHSDLG UHFØDUH GDM HØFVNRQ		v
&RQURO	%XLOWQ KJK FDSFLW VÆ KRØLQJ UHØ VR DFVYH ØDG RQRI FROURO		v
/ &' ØVSDØ	ELVVH FVNRQ/ &' ØVSDØ		v
&RPP XQFDMRQ	&RPP XQFDMRQ LQMUJFH 56 &RPP XQFDMRQ SURVFRØ Ø 2' %86578		v
Ø XQVØUJLI	VØUJLI UDMV WPH LQVNYDC	VØUJLI UDMV WPH	')

	E G	LQMYDDEA G	
--	-----	------------	--

Ä µ Ö PHQ/VQDUG ¶ Ö PHQ/RSWQDÄ

1 RM 3UHSDGP RGHIXCFMRQFDQROD EHDPLHYHGZ LK VHSUHSDG V WMP Z KLFK GHMJQHG
E \$ FUD&R / VG

7FKQFDOSDUP HMU

(ØFVIF SHURUP DQFH

7FKQFDOSDUP HMU		\$' / (<	\$' / (<
9RQDWH	5HHUHQHYRQDWH	9	h 9
	5HHUHQHIUHTXCF	+]	
	&RQXP SQRQ	9\$ (DFKSKDH	
&XUHQV	,GSVFXUHQV	\$	\$ \$
	6VUHQV FXUHQV	&RQHFVUHQV ,E FRQHFVMD&7 ,Q	
	&RQXP SQRQ	9\$ 0 Q LP XP FXUHQV	
0 HDXUHP HQV SHURUP DQFH	\$ FFXUFA R PHDXUQJ	&DWH	V&DWH
&ØFNDFXUFA		(URU" VG	
\$ FVHSXOH	3XOHZLGM	PV PV	
	3XOHFRQDQV	IPSN K	IPSN K IPSN K
&RPPXQFDMRQ	,QMUJFH	56 \$ Å %	
	&RQHFMRQPRGH	6KHOHGZLVMSDLFRQGFVU	
	3URMFRO	0 2' %86 578	

0 HKQFDOSHURUP DQFH

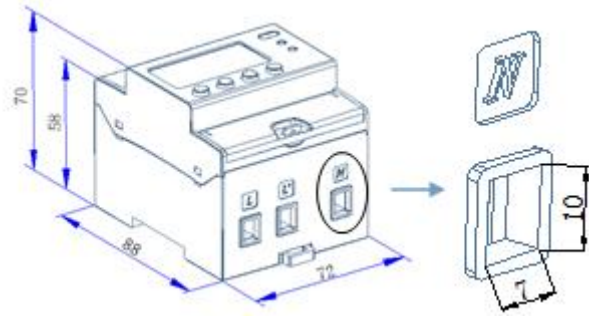
	\$' / (<	\$' / (<
2XUHQ / HQWî : LGMî +HJKW	PPî PPî PP	PPî PPî PP
0 Q LP XP ZLUQ DEQW IØLEØ FDEØ	PP	

: RUNHQYURQPHQV

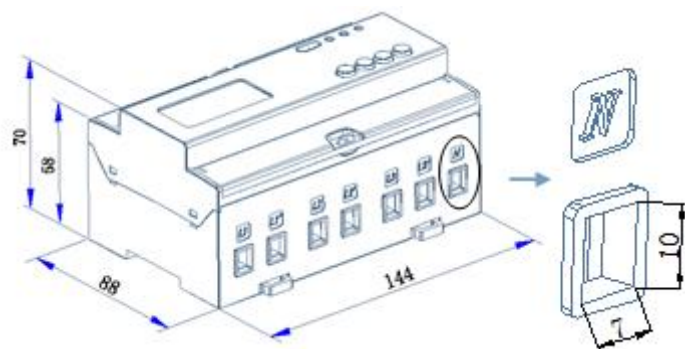
7HP SHUDMUHQDWH	: RUNWPSHDMUH	a
	6VUJH7HP SHUDMUH	a
5HDMYHXPLGW	" 1 RFRQHQDMRQ	
\$ QVGH	P	

' LPHQMRQGUDZLQJV 8 QWPP

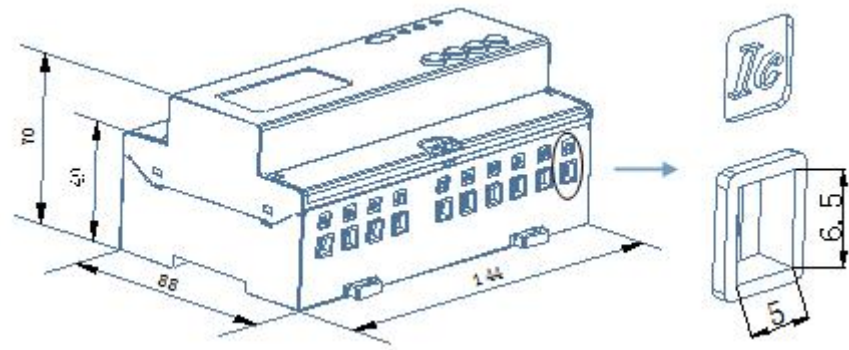
\$' / (<



\$' / (<



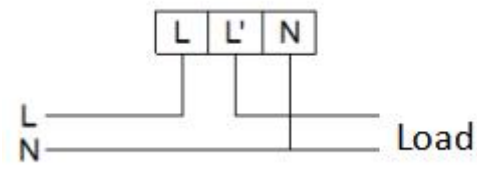
GUFWFRQ-FW



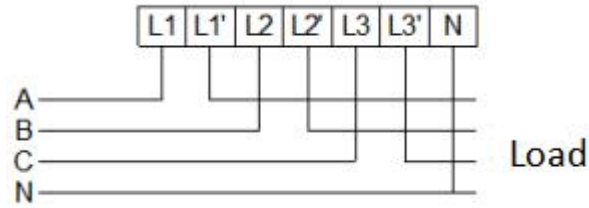
FRQ-FWLD&7

1 RÄÖ 7KH V\UXH RI GUFWFRQ-FWVKRXG GRVEH JUHDUMDQ 1 P È DQG V\H V\UXH RI
FRQ-FWLD&7 VKRXG GRVEH JUHDUMDQ 1 PÄ

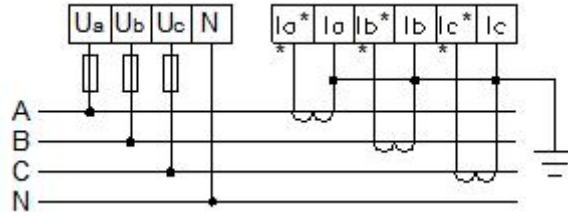
: LUQJ DQG LQMDQJ



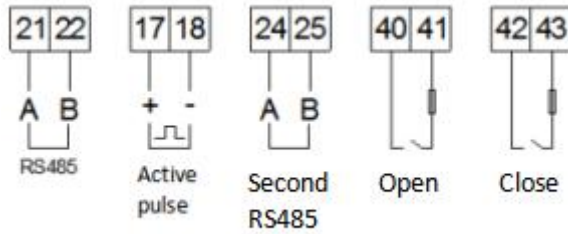
\$' / (<



\$' / (< 7KUHSKDHIRXUQCHVGLUFWFRQQFW



\$' / (< 7KUHSKDHIRXUQCHVFRQQFWMD&7



\$ X' LQDV IXQFWRQ

' LVSDA DQGRSHUDMRQ

' LVSDA H DP SØV



GXP S HGHU\



7RØDCHU\



9RØDVH GLVSDA



&XUWHQV LVSDA

&RP P XQFDNRQGHVUISNRQ

&RP P XQFDNRQ SURMFRO

7KH P HMU/ DGDSVO RGEV/O 30DVH UH HUVR VWH UH DQ/ WDGQDGV/ I RUP RUH LQ RUP DNRQ 7KH P XQVWUULI GDVDP HDQ GRMLQJ Z KHQP XQVWUULI IXCFNRQ) LVGRVSSOHG

0 2' %8 6 DGGUHVWDEOH

\$' / (< DGGUHVWDEOH

\$ GGUHV	9 DUDEOH	/ HQVW	5 :	1 RNV
+	&XUHQ/VWDDFVYHHQHJ\		5	XQW N K
+	&XUHQ/VSLNDFVYHHQHJ\		5	
+	&XUHQ/VSHNDFVYHHQHJ\		5	
+	&XUHQ/VQVDFVYHHQHJ\		5	
+	&XUHQ/VDOH DFVYHHQHJ\		5	
\$+	&RGI		5 :	
%+	8 9 RDUH		5	
&+	, &XUHQV		5	
' +	3 \$ FVYHSRZHU		5	XQWÖ . Z
(+	4 5 HCFVYHSRZHU		5	XQWÖ . YDU
) +	6 \$ SSDUHQVSRZHU		5	XQWÖ . YD
+	3) 3RZHUJDFVU		5	&DQXDNRQ IDFVUÖ Ä riii•iiiiÄ HIIHFVYH UDQJH Ä riii•iiiiÄ
+) UHTXQF		5	XQWÖ +]
+	<HDU P RQV		5 :	
+	' D KRXU		5 :	
+	0 LQVM VFRQG		5 :	
+	5 HMYHG			
%+	5 HMYHG			
&+	&XUHQ/VRLZ DQVWDDFVYHHQHJ\		5	
(+	&XUHQ/VHYHULQJ VWDDFVYHHQHJ\		5	
+	5 HMYHG			
) +	5 HMYHG			
+	0 DQFRP P XQFDNRQÖ &RP P XQFDNRQ DGGUHV/DQGEDXGUDM		5 :	\$ GGUHVÖ a %DXGUDM

+	&K-FNELVARS ELV		5 :	&K-FNELVÖ Ö 1 RQH Ö 2 GG Ö (YHQ VARS ELVÖ
+ +	5HMYH			
+	7KHVFRGGFRP P XQFDMÖ &RP P XQFDNRQ DGGUHW/DGGEDXGUDM		5 :	7KHVDP HDV/VH \$' / (<
+	7KHVFRGGFRP P XQFDMÖ&K-FNELVARS ELV		5 :	
+ +	5HMYH		5 :	
\$+)))+	5HMYHG			
+ +	VP HJ RQH	h	5 :	7LP HJ RQHVEOH
+ « \$+	SHURGRV VPH3DUP HMY/VHWQJ LQRUP DNRQ	h	5 :	7KHILXVMP HQWV
%+ « +	SHURGRV VPH3DUP HMY/VHWQJ LQRUP DNRQ	h	5 :	7KHVFRGGVPH QW

\$' / (< DGGUHWVEOH

\$ GGUHW	9DUDEOH	/ HQWV	5 :	1 RAV
+	&XUHQ/VARDDFVYH HQWV		5	XQW N K
+	&XUHQ/VSLNHVARD DFVYHHQWV		5	

+	&XUHQ/SHDNVRMO DFWYHHQHJ\		5	
+	&XUHQ/VQD/VRMO DFWYHHQHJ\		5	
+	&XUHQ/YDQ\ VRMO DFWYHHQHJ\		5	
\$+ &+	' DNE' WPH		5 :	VFRGÄ P LQWÄ KRXLÄ GD. Ä P RQWÄ \ HDJ
' + +	5 HMYHG			
+	WPHJRQHV		5 :	7LP HJRQHVDECH
(+	9RQWHR \$ SKDH		5	XQVÖ 9
) +	9RQWHR %SKDH		5	
+	9RQWHR & SKDH		5	
+	&XUHQ/RI \$ SKDH		5	XQVÖ \$
+	&XUHQ/RI %SKDH		5	
+	&XUHQ/RI & SKDH		5	
+	9RQWHEH\ZHQ \$ %		5	XQVÖ 9
+	9RQWH EHZHQ & %		5	
+	9RQWH EHZHQ \$ &		5	

+	9R00JHWDQMHU		5 :	9D0XHUDQJHÄ a Å
+	&XUHQMDQMHU		5 :	9D0XHUDQJHÄ a Å
+	%+	5HMUYHG		
&+	/HYD SDVZRLG		5 :	9D0XHUDQJHÄ a Å
' +	/HYD SDVZRLG		5 :	9D0XHUDQJHÄ a Å
(+ +	5HMUYHG			
+	7KHDDUP YD0H		5 :	XQVÖ <XDQ
+	7KHDDUP YD0H		5 :	
\$+	&UHQVDP RXQV		5 :	
&+ +	5HMUYHG			
+	GPD0G		5	XQVÖ N
+	3\$		5	XQVÖ N
+	3%		5	
+	3&		5	
%+	37		5	
' +	4\$		5	XQVÖ NYD
) +	4%		5	
+	4&		5	
+	47		5	
+	6\$		5	XQVÖ N0\$
+	6%		5	
+	6&		5	
%+	67		5	
' +	3)\$		5	&D0X0MMHIDFRLÖ Ä a ÅHIIHVMHUDQJH Ä riii•iiiiÄ
(+	3)%		5	
) +	3)&		5	
+	3)7		5	
+)UHT		5	&D0X0MMHIDFRLÖ
+) +	5HMUYHG		
+	0 DQ FRPPXQFDNRQ Ö &RPPXQFDNRQ DGGUHV D0G EDXG UDM		5 :	7KHVDPHDVMS' / (<

+	7KH PDQ FRPPXQFDNRQ Ö &KFNELWWS ELW		5 :	
+)))+	5HMYHG			
+	SHURG RI WPH 3DUPHMY VHWQJ LQRUPDNRQ		5 :	7KHILLWMP HQW
+	SHURG RI WPH 3DUPHMY VHWQJ LQRUPDNRQ		5 :	7KHILLWMP HQW

7KH ZLQGRVEHFRQROFRPPDGG EFDXRI VHSJHOPLMG LL VHUH DUH DQ GP DGG RI
VHFRPPDGG FRQDFXVZLWKGRKLVDM

