



\$' / (

, QMDDWRQDQGRSHUDWRQLQWKFWRQ9

\$&5(/ &R / W

' HFOUH

7KHFRS\ ULJKW\WHSURSHUWRI \$FUH\$ Q LQRUP DNRQLQDQ
SDUDJDSKRUMFWRQFDQRWEHH\ WDFMG FRSFHGRURWHLZLVHUHSURGXFHG
RUSURSDJDMG 2 WHLZLVHRIHQGHU\KDOMHDOFRQHTXHQHV
\$OULKWDUHUHUYHG

\$FUHUYH\WHLUKWRPRGI\ WHSURGXFWSHFLFDNRQ\KHUHQ
ZLVKX\QRWLFDMRQ 3ODHFRQXOMHOFDDJHQ\DERXW\HODMW
VHFLFDNRQ\EHRUHSDFLQJDSXUFDHRLGHU

) UTZKTZ

2 YHXLHZ

) XQFWRQ/

7HFKQFDOSDUP HNU

2 YHLDGHP HQ/RQ/

: LIQJ DQGLQMDQJ

' LSCD LQWKFWRQ/

&RP P XQFDWRQLQWKFWRQ/

2YHJLHZ

\$' / (VQJGSKDHFDFWIFQHJ\ PHMULVDQZ JHCHDNRQHJ\ PHMUGMJQGE
 \$ FUD&R / V&ZLKP DQ \ HDMTH SHUHQHILQG-MJQLQ HOFWIFLWPHMV / 0 HDXUP HQWDMWVF
 FRPPXQFDMRQDQG/ &' GLSDA IXCFWRQ/DUHLQMDGGLQWHSRZ HUP HMU7KLVSRZ HUP HMUKDV
 DGYDQWVHRI KJKWDELQW QZ SRZ HUFROXP SWRQDGGGDMDVLOJ D WJEDFRXWHW \$ QP HMV
 S KZKZK XREZKJ ZK NTQGRXW QKS KTZY ULKRI ZUTQ VUJ KXS KZKQ ZNK /+)

o•

/+)

YZGTJGX Y

) XCFVLRQV

) XCFWRQ) XCFWRQGHFUSWRQ) XCFWRQ SURYLGH
0 HDXUP HQVRI N K	6LQJGSKDHFDFWIFHN K SRMWHHDDGCHJDMWH	v
0 HDXUP HQVRI HOFWIFDQSDUP HMV	9RQWH &XUHQV \$ FWH SRZ HU 5HDFWIF SRZ HU \$ SSDUHQVSRZ HU3RZ HUI DFMUDQG) UHTXQF	v
/ &' ' LQSDA	ELWVHFWRQ/ &' GLSDA	v
&RPPXQFDMRQ	&RPPXQFDMRQ LQMUJFH 56 &RPPXQFDMRQ SURMFRQ 2' %86578	' &

vÖ PHDQVMDGELG ' Ö PHDQ/RSWRQDQ

7HFKQLFDO SDUDPHWU

+RRI ZQD VKXLXS GTI K

,GSXVYRQWH	5HHUHQHYRQWH	\$ & 9
	5HHUHQFHI UHTXQF	+]
	3RZ HUFROXP SWRQ	9\$
,GSXVFXUHQV	%DMF FXUHQV	\$
	0 Q LP XP FXUHQV	\$
	6VUHQJ FXUHQV	,E
	&RQXP SWRQ	9\$ 0 Q LP XP FXUHQV
0 HDXUP HQV SHURUP DQFH	\$ FFXUFA RI PHDXUQJ	&QW
	5DQJHRI PHDXUQJ	a N K
&RPPXQFDMRQ	,QMUJFH	56 \$ Ã %
	&RQHFWRQP RGH	6KLHG-GVZLVNGSDUFRQGFARV
	3URMFRQ	0 2' %86578

3 KI NGTQGRVKXLXS GTI K

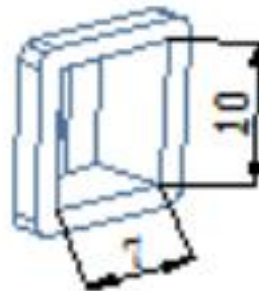
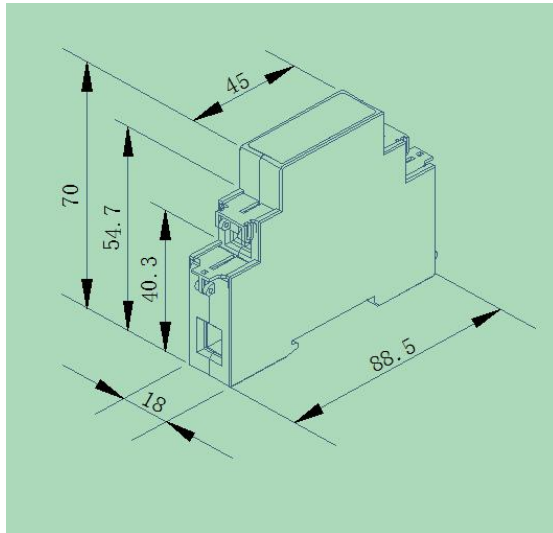
2XQCH / HQVWî : LGMî +HJKW	PPî PPî PP
----------------------------	------------

= UXQKT\ QUTS KTZ

5DQJHRI WP SHDMUH	: RUNQJ WP SHDMUH	a
-------------------	-------------------	---

	6VRIUQJ WP SHUDMUH	a
5 HDWYHKXP LGW		" 1 RFRQG-QDMRQ
\$ QMVGH		P

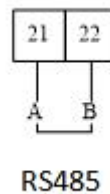
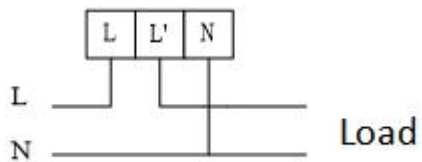
2YHDDO GLPHQLRQV



1 RMÖ 7KHVRLTXHVKRXGGRVEHJUHDMMRQ 1 P

: LULQJ DQG LQWDOOLQJ

= QM J QMGS



/TYZGRD MTUZDKY

\$' / VQJGSKDHHDFWIFPHMUVHGMHGLUFWFRQFWQJPHMRG3GDHSD DMRQRQVR
 VHGUFWRQR LGSXVDCGRXSXVZKLGZLUQJ DQGVFUZ WJKQ VRLTXHGWMDQ 1P SUYHQVNH
 PHMJURP VHDGRUP DOZ RUN

' LVSOD LQWUXFVLRQV

7KHPHMVKRZVRMDCHJN ILLWZKLGVMQLOJ RQDQGVHQRKZVYRQDWHFXUHQVDCGSRZHUHWF
 LQVLRQ 7KHJ DP SCHKRZVDVIRQZLQJ

0000 12.34 kWh U 220.0 V

&XUHQ/VRMDCHJ\ N K

&XUHQ/VRODJH 9

1 10.00 A P 02.20 kW

&XUHQ/VXUHQV \$

&XUHQ/VRZHU N

PF 1.00 EUE 9500

3RZHUJDFRU

&XUHQ/VYHQVWEDXGUDM

Addr 001 dd5u 1.00

&XUHQ/VGGUHV

&XUHQ/VYUVRQ 9

&RPPXQLFDVLRQ LQWUXFVLRQV

) US S [TOGZDT VXUZI UR

7KHPHMV/DGDSV0 RGEV 30DVUH HURV KHUH0YDQWMDGEDUGV/RUPRUHLQRUPDNRQ

3 5 * (; 9) US S [TOGZDT GJJKYYZGRK

\$ GGUHV	9 DUEOH	/ HQVR	5 :	1 RUV
+	&XUHQ/VRMDCHJ\		5	XQV N K
+				
«	5 HUYHG			
\$+				
%+	9 ROJH		5	XQV 9
&+	&XUHQV		5	XQV \$
' +	\$ FVYHSRZHU		5	XQV NZ
(+	5 HFMVHSRZHU		5	XQV NYDU
) +	\$ SSDUHQ/VRZHU		5	XQV N9 \$
+	3RZHUJDFRU		5	XQV
+) UHTX-HQ		5	XQV +]
«	5 HUYHG			
+				
Ä KJK ELV	\$ GGUHV		5 :	
+				
Ä ØZ	&RPPXQLFDVLRQEDXGUDM		5 :	Ö Ö

ELÄ				Ö Ö
« + +	5HMUYHG			
+	0 HMRGR I WMMQJ		5 :	HYHQ QRQH
« + %+	5HMUYHG			
&+ ' +) RIZ DUGDFWYHHQHJ\		5	XQVÖ N K
(+) +	5HYHXLQJ UDFWYHHQHJ\		5	XQVÖ N K
« + +	5HMUYHG			
+) RIZ DUGDFWYHHQHJ\		5	8QVÖ N K
+				
\$+ « +	5HMUYHG			
+	5HYHXLQJ DFWYHHQHJ\		5	8QVÖ N K
+				

